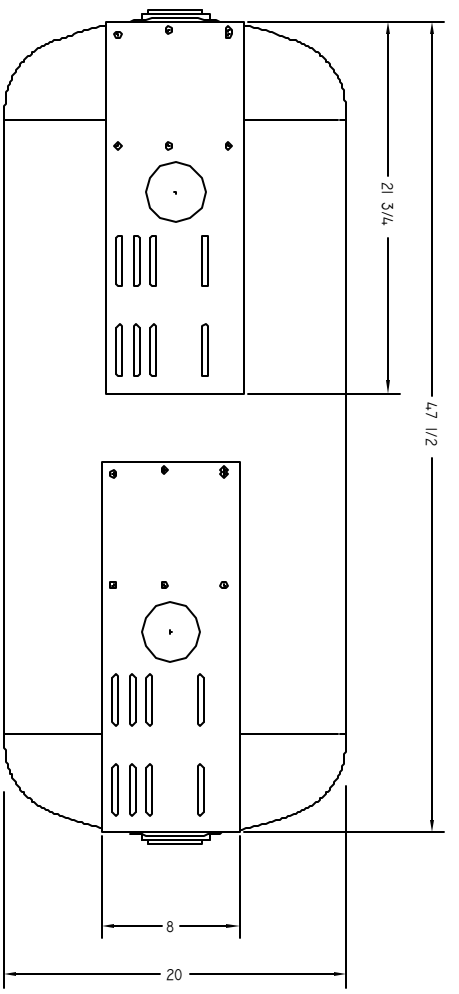
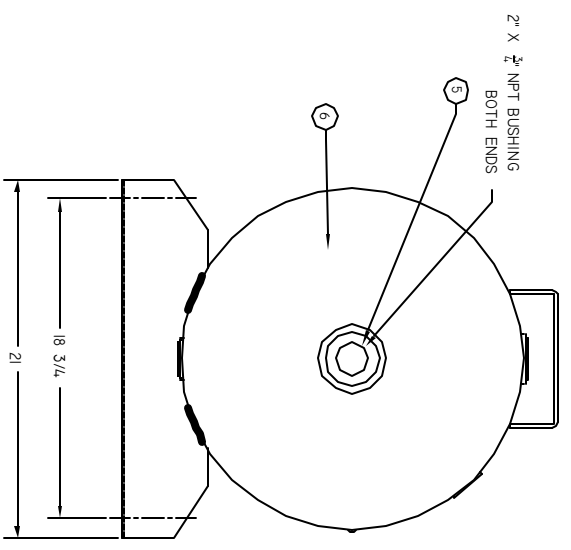
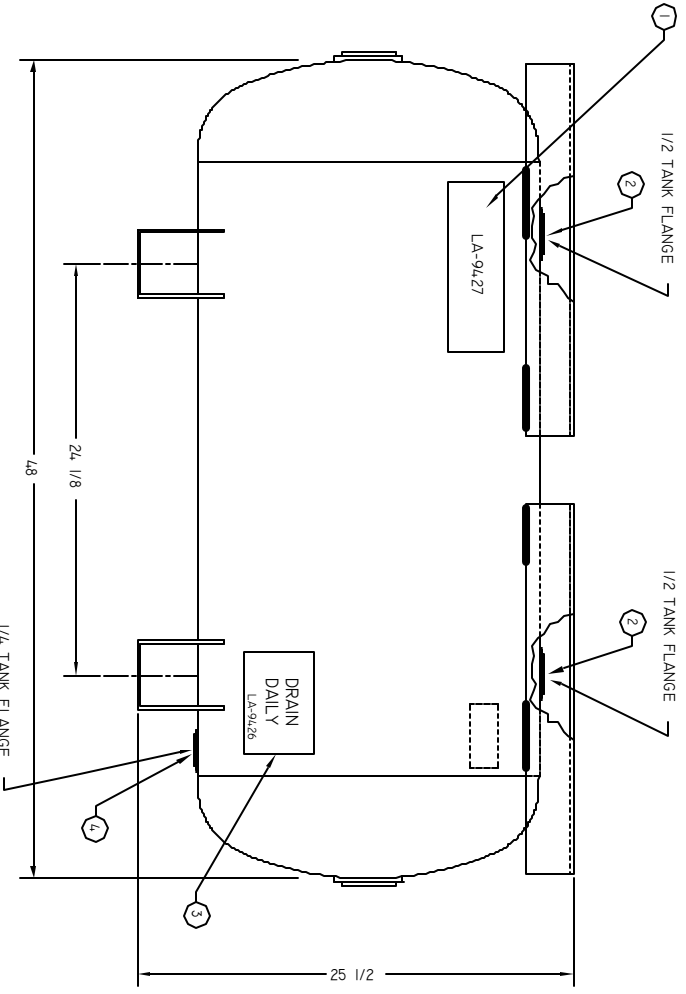


REV.	DATE	REVISION DESCRIPTION	PON. NO.
	5 OCT '05	NEW	05-20



NO.	PART NO.	DESCRIPTION
1	LA-9427	CAUTION LABEL
2	SS-3183	1/2" THREAD PROTECTOR (2)
3	LA-9426	DRAIN LABEL
4	SS-3181	1/4" THREAD PROTECTOR (1)
5	SS-3184	3/4" THREAD PROTECTOR (2)
6	TA-9486-1	AIR RECEIVER, 60 GAL. HORIZONTAL

165 P.S.I. MAX. WORKING PRESSURE  
 NATIONAL BOARD & C.R.N. APPROVED  
 PAINTED DEVAIR ORANGE



**IMPORTANT NOTE:** This print is the confidential property of DEVAIR, INC. It is not to be used or reproduced in any manner, nor submitted to other parties for examination without the prior approval of DEVAIR, INC.

FRACTIONAL DIMENSIONS: ± 1/32  
 DECIMAL DIMENSIONS: ± .005  
 UNLESS OTHERWISE SPECIFIED

# DEVAIR

NAME OF PROJECT	DESCRIPTION OF DRAWING
60 GAL. HORIZONTAL TANK (DUPLICATE ASSEMBLY)	DRAWING NO. TA-9506 SHEET NO. REV.
DRAWN BY: W.BLOM	CHECKED BY: NTS
DATE: 5 OCT '05	SCALE: