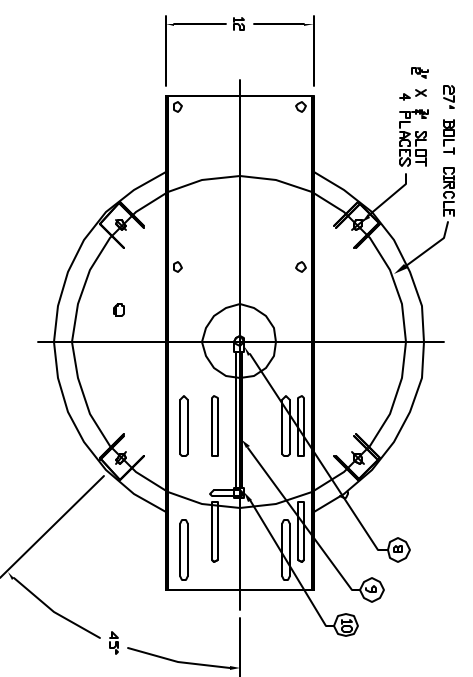
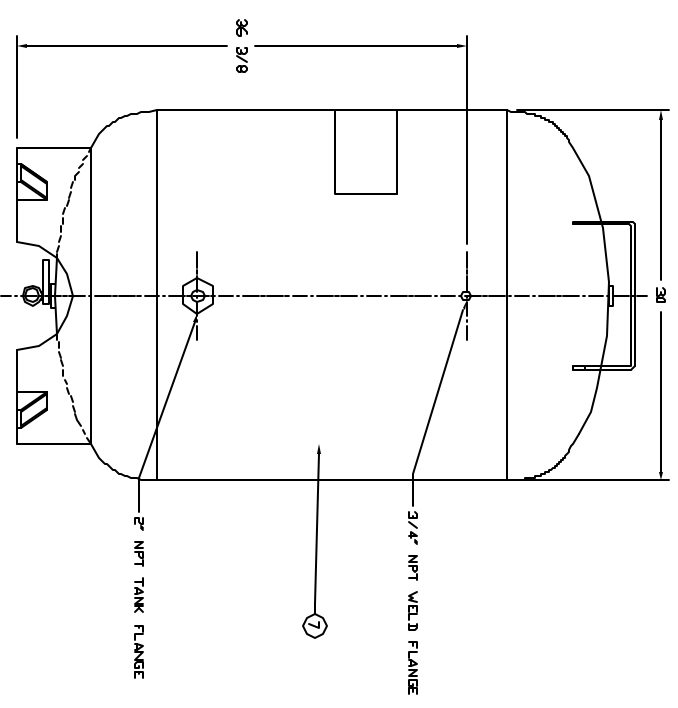
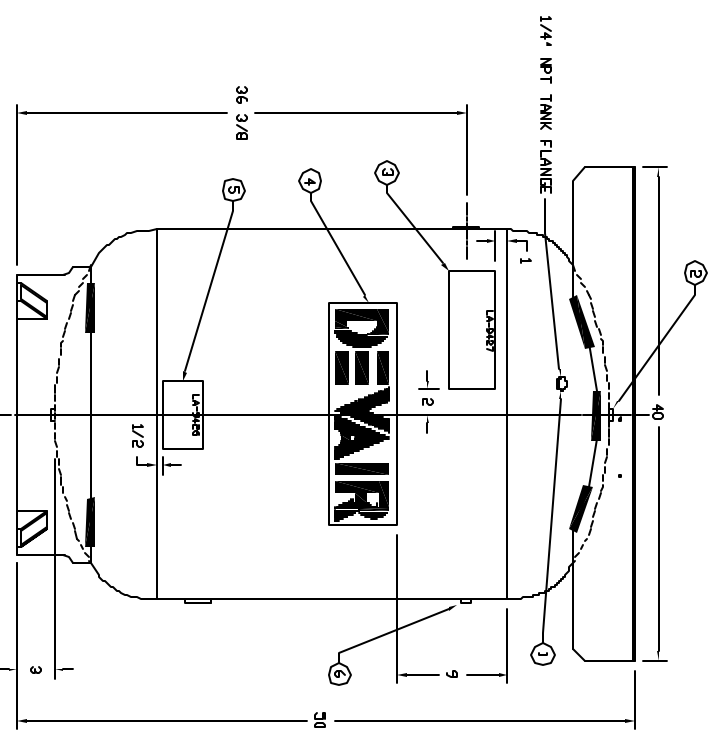


REV.	DATE	REVISION DESCRIPTION	PN NO.
A	11/11/03	NEW	03-60



NO.	PART NO.	DESCRIPTION
1	SS-3101	1/4" NPT. THREAD PROTECTOR
2	SS-3105	1" NPT. THREAD PROTECTOR
3	LA-9487	CAUTION LABEL
4	LA-9489	DEVAIR DECAL 5-1/2" X 18"
5	LA-9486	DIRT/DAILY LABEL
6	SS-3104	3/4" NPT THREAD PROTECTOR
7	TA-9499	180 GAL VERTICAL AIR RECEIVER
8	SS-11071	1/4" 90° GALV. STREET ELBOW
9	SSP-419	1/4 X 1/2" GALV. NIPPLE
10	VA-9411	BALL VALVE 1/4" X 1/4" NPT

-MAXIMUM WORKING PRESSURE, 200 P.S.I.G.
 -MAXIMUM WORKING TEMPERATURE, 650 DEG. F. @ 200 P.S.I.G.
 -PAINTED DEVAIR ORANGE



IMPORTANT NOTE: This print is the confidential property of DEVAIR, INC. It is not to be used or reproduced in any manner, nor submitted to other parties for examination without the prior approval of DEVAIR, INC.

FRACTIONAL DIMENSIONS: ± 1/32
 DECIMAL DIMENSIONS: ± .005
 UNLESS OTHERWISE SPECIFIED



NAME OF PROJECT		DESCRIPTION OF DRAWING	
120 GAL. AIR RECEIVER	REMOTE TANK	DRAWING NO.	TA-9502
DRAWN BY	CHECKED BY	DATE	SCALE
MAJOM		NOV 03	N.T.S.
		SHT NO	REV
		4	A