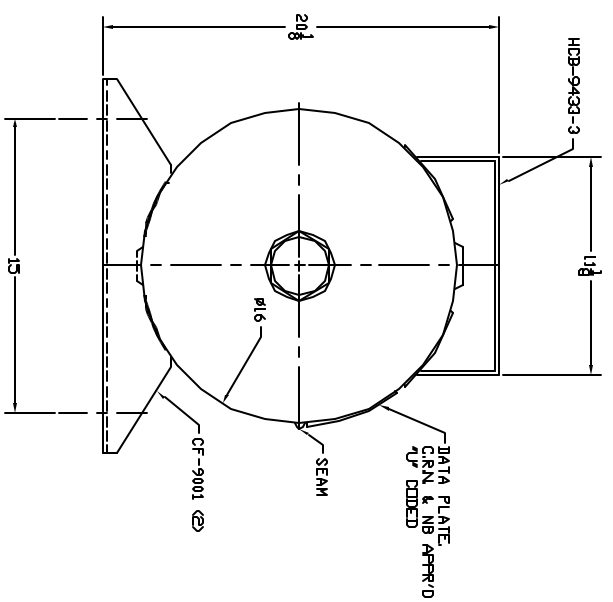
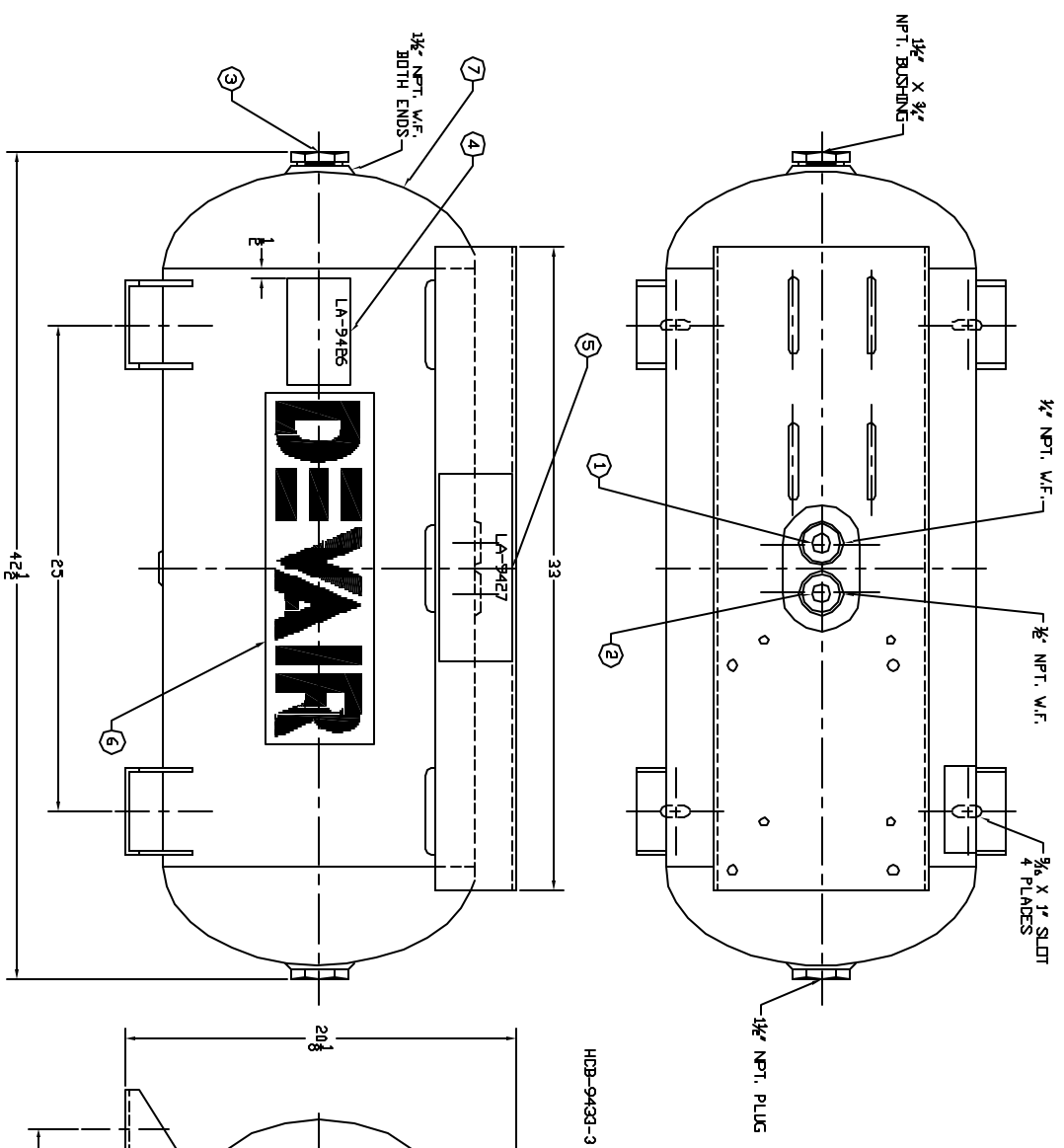


REV.	DATE	REVISION DESCRIPTION	PON. NO.
A	2B/11/00	UPDATED DRAWING	00-56

NO.	PART NO.	DESCRIPTION
1	SS-3181	1/4" NPT. THREAD PROTECTOR
2	SS-3183	1/2" NPT. THREAD PROTECTOR
3	SS-3184	3/4" NPT. THREAD PROTECTOR
4	LA-9426	RAIN DAILY LABEL
5	LA-9427	CAUTION LABEL
6	LA-9430	DEVAIR DECAL. 3 1/2" X 18"
7	TA-9418-4	30 GAL. HORIZONTAL AIR RECEIVER

NOTE:
 200 PSI. MAX. WORKING PRESSURE @ 650°F
 NATIONAL BOARD & CRN. APPROVED
 PAINTED DEVAIR DRANGE



IMPORTANT NOTE: This print is the confidential property of DEVAIR, INC. It is not to be used or reproduced in any manner, nor submitted to other parties for examination without the prior approval of DEVAIR, INC.

FRACTIONAL DIMENSIONS: 1/32 DECIMAL DIMENSION: 1/100 UNLESS OTHERWISE SPECIFIED		DEVAIR	
NAME OF PROJECT	DESCRIPTION OF DRAWING	DATE	SCALE
30 GAL. HORIZONTAL AIR RECEIVER	REMOTE TANK	NOV/21/00	N.T.S.
DRAWN BY	CHECKED BY	DRAWING NO.	SHT NO/REV
ADAM SMITH		TA-9500	A