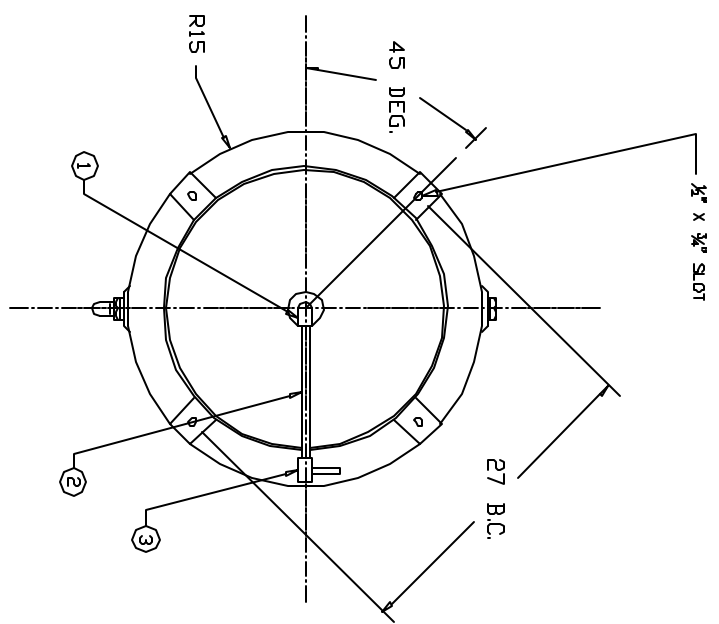
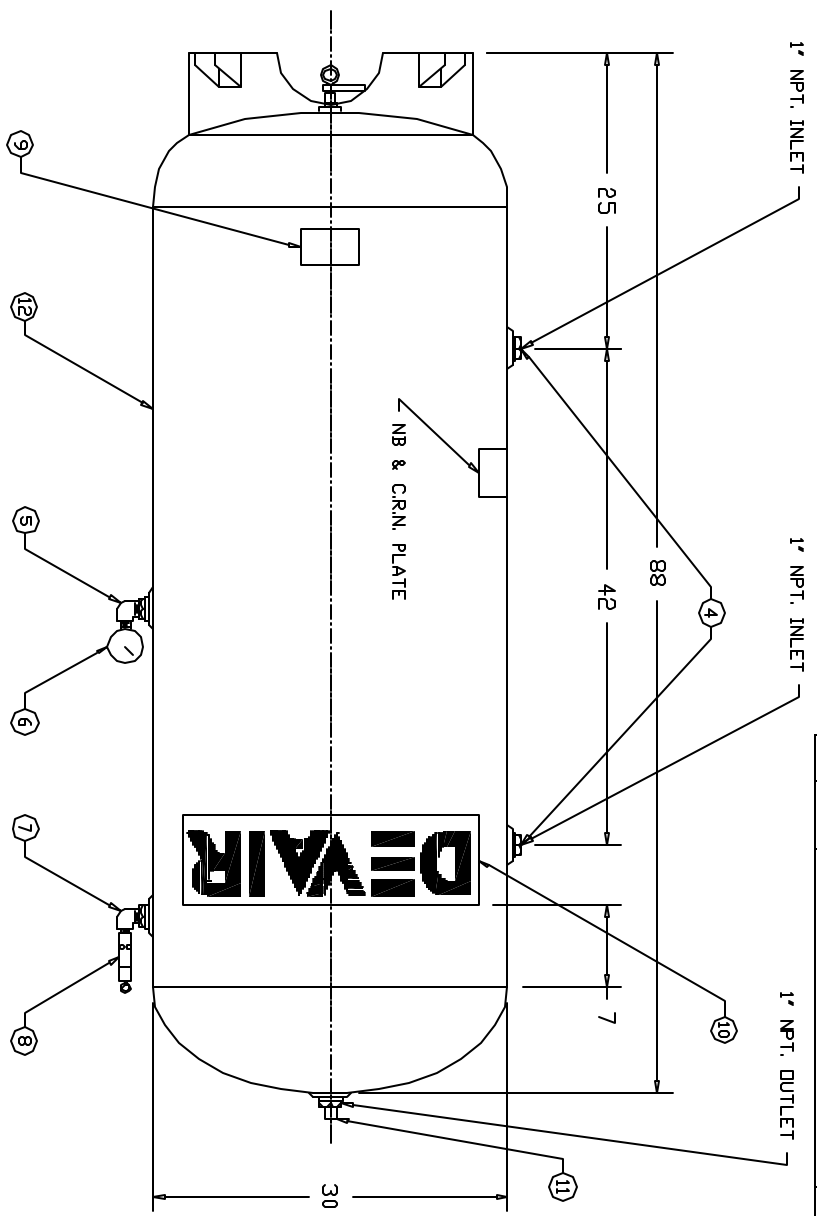


REV.	DATE	REVISION DESCRIPTION	PON. NO.
D	NOV/85/9	REDRAWN WITH CHANGE	99-47
E	DEC/86/00	PARTS BREAKDOWN DRAWING	00-56



NO.	PART NO.	DESCRIPTION	NO.	PART NO.	DESCRIPTION
1	SS-1179	1/4" - GAL V. ELBOW	7	SS-1073	1/2" - GAL V. STREET ELBOW
2	SS-1250	1/2"x1/4" BUSHING	8	SS-00617	SAFETY VALVE, 1/2" NPT. 200 PSI
3	SS-2071	1/4" X 1 1/2" SHORT GAL V. NEPPLE	9	LA-9426	DIRAIN LABEL
4	SSP-419	1/4"x1/2" GAL V. NEPPLE	10	LA-9429	DEVAIR LABEL
5	VA-9411	BALL VALVE 1/4"x1/4" NPT.	11	SS-1232	1" PIPE PLUG
6	SS-3185	1" THREAD PROTECTOR	12	TA-9005-2	240 GAL. VERTICAL AIR RECEIVER
6	GA-250	1/4" - GAL V. STREET ELBOW PRESSURE GAUGE, 300 PSI, 2" DIA.			

NOTE:
200 PSI. MAX. WORKING PRESSURE @ 650°F.
NATIONAL BOARD & CRN. APPROVED.
THREAD SEALANT MUST BE USED ON ALL FITTINGS.
ALL FITTINGS MUST BE PLATED
TANK MUST BE PAINTED DEVAIR ORANGE.

IMPORTANT NOTE: This print is the confidential property of DEVAIR, INC. It is not to be used or reproduced in any manner, nor submitted to other parties for examination without the prior approval of DEVAIR, INC.

FRACTIONAL DIMENSIONS: ±1/32 DECIMAL DIMENSION: ±.005 UNLESS OTHERWISE SPECIFIED		DEVAIR	
NAME OF PROJECT: 240 GAL. VERTICAL AIR RECEIVER		DESCRIPTION OF DRAWING: REMOTE TANK	
DRAWN BY: ADAM SMITH	CHECKED BY:	DATE: OCT 16 / 00	SCALE: N.T.S.
		DRAWING NO.: TA-9008-2	SHEET NO./REV: E