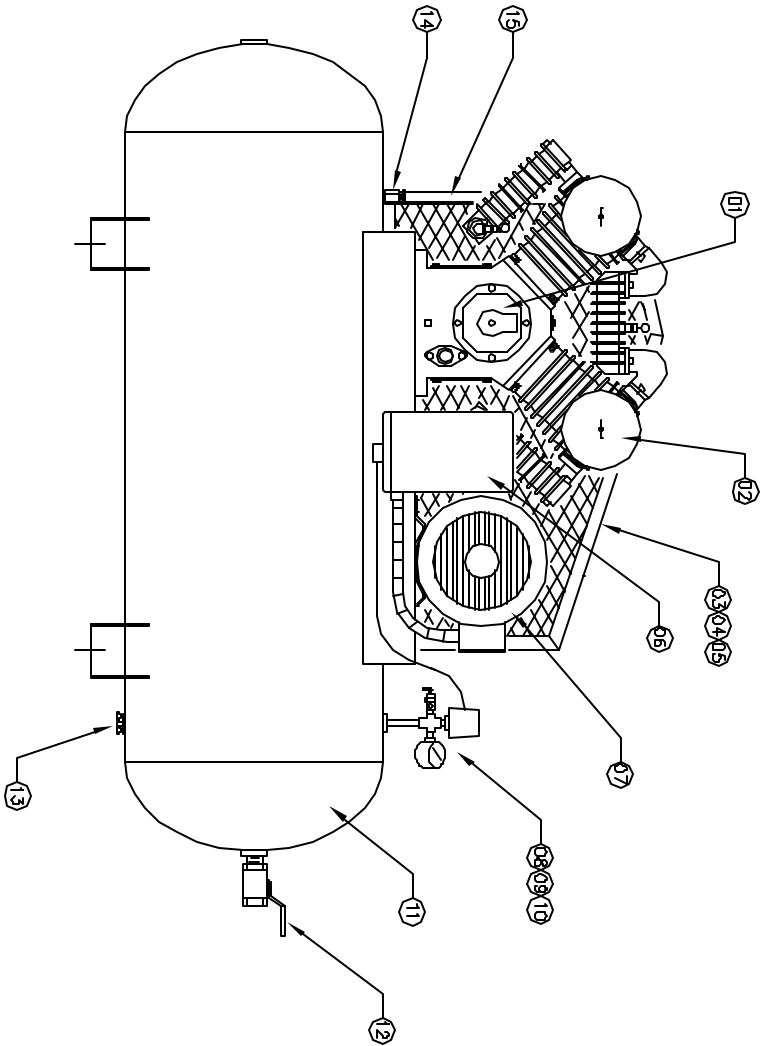


| REV. | DATE | REVISION DESCRIPTION | PON. NO. |
|------|---------|----------------------|----------|
| 01 | 02FEB05 | NEW | 05-01 |
| | | | |
| | | | |



| ITEM | PART NUMBER | QTY | DESCRIPTION |
|------|-----------------|-----|--|
| 01 | DEV-100 | 1 | PUMP ASSEMBLY |
| 02 | PB-2117B001 | 2 | INTAKE FILTER ASSEMBLY |
| 03 | PB-21177013 | 2 | INTAKE FILTER ELEMENT |
| 04 | EG-9491 | 1 | BELT GUARD ASSEMBLY |
| 05 | PU-9235 | 1 | MOTOR PULLEY (4.95 OD, 1 1/8 BORE, 2B) |
| 06 | BT-9041 | 2 | DRIVE BELT (B74) |
| 07 | MS-140-03 | 1 | STARTER 230-60-1 |
| 08 | MS-340-43 | 1 | STARTER 200/208-60-3 |
| 09 | MS-340-43 | 1 | STARTER 230-60-3 |
| 10 | MS-340-45 | 1 | STARTER 480-60-3 |
| 11 | MS-340-89 | 1 | STARTER 575-60-3 |
| 12 | MO-9025 | 1 | MOTOR 230-60-1 |
| 13 | MO-6407 | 1 | MOTOR 200/208-60-3 |
| 14 | MO-6435 | 1 | MOTOR 230-60-3 |
| 15 | MO-6435 | 1 | MOTOR 460-60-3 |
| 16 | MO-6414 | 1 | MOTOR 575-60-3 |
| 17 | SSS-9003U115150 | 1 | PRESSURE SWITCH |
| 18 | GA-250 | 1 | PRESSURE GAUGE |
| 19 | TIA-5200 | 1 | SAFETY VALVE 200 PSI |
| 20 | TA-9461-1 | 1 | TANK - 80 GAL HORIZ |
| 21 | VA-9705 | 1 | BALL VALVE |
| 22 | SS-2707 | 1 | DRAIN VALVE |
| 23 | CCV-9403 | 1 | CHECK VALVE |
| 24 | CT-9752 | 1 | AFTERCooler TUBE |

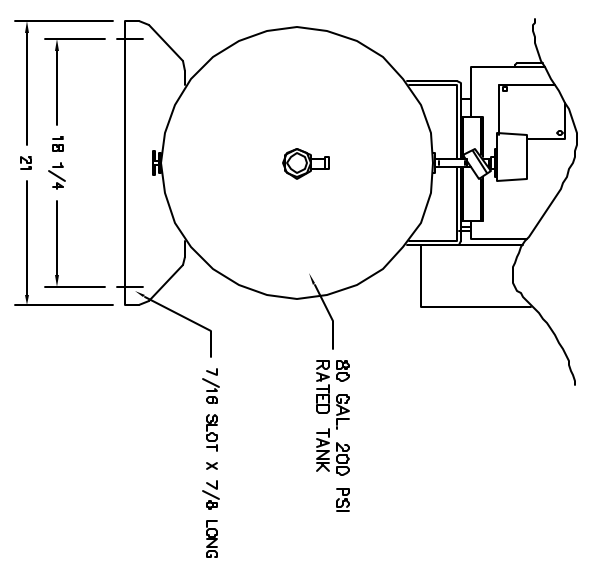
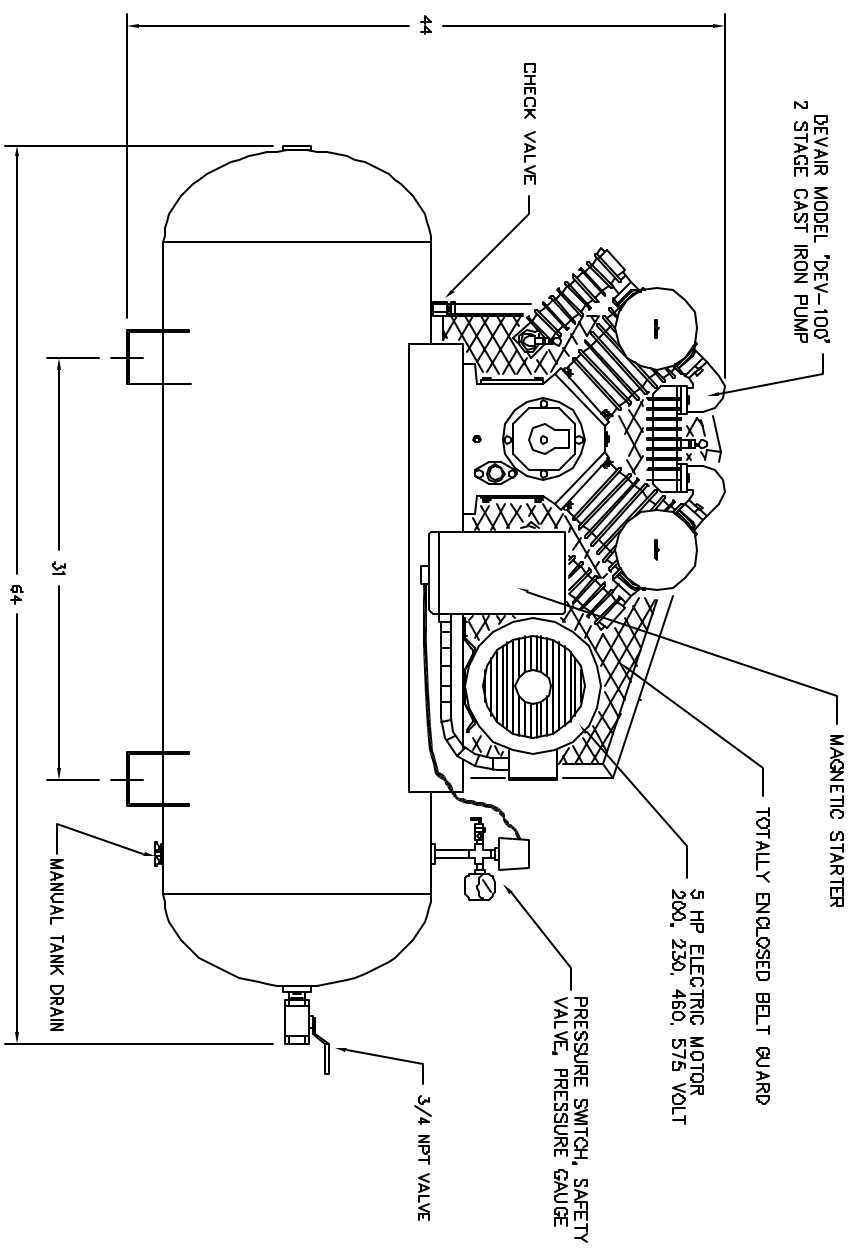
IMPORTANT NOTE: This print is the confidential property of DEVAIR, INC. It is not to be used or reproduced in any manner, nor submitted to other parties for examination without the prior approval of DEVAIR, INC.

FRACTIONAL DIMENSIONS: ± 1/32
 DECIMAL DIMENSIONS: ± .005
 UNLESS OTHERWISE SPECIFIED



| NAME OF PROJECT | | DESCRIPTION OF DRAWING | |
|-------------------------------|-------------------|------------------------|------------|
| 5 HP INDUSTRIAL STANDARD UNIT | COMPRESSOR OUTFIT | DRAWN BY | CHKD BY |
| C/W 'DEV-100' PUMP | | DATE | SCALE |
| W/ALUM | | 09FEB05 | N.T.S. |
| | | | ISS-100804 |
| | | | SHT NO/REV |

| REV. | DATE | REVISION DESCRIPTION | PEN. NO. |
|------|---------|----------------------|----------|
| | 08FEB06 | NEW | 06-04 |
| | | | |



| COMPRESSOR OUTPUT DATA | | | | PRESSURE SETTINGS | | | | RECEIVER CAPACITY | | | | COMPRESSOR PUMP DATA | | | | WEIGHT | | ELECTRICAL | | | |
|------------------------|----|-------------|------------|-------------------|------|------|-------|-------------------|-------|-------|-----|----------------------|-----|---------|---------------|--------|-------|------------|-------|-------|--|
| MODEL | HP | DISPL. SCFM | DEL'Y SCFM | PSIG | KPA | GAL. | LITRS | TYPE | CYLD. | STAGE | RPM | LB. | KG. | VOLTAGE | FULL LOAD AMP | 230/1 | 200/3 | 230/3 | 480/3 | 575/3 | |
| ISS-10080H | 5 | 23.5 | 17.0 | 150 | 1035 | 80 | 302 | DEV-100 | 4 | 2 | 435 | 675 | 307 | 230/1 | 25.0 | 15.4 | 13.2 | 6.5 | 5.3 | | |

IMPORTANT NOTE: This print is the confidential property of DEVAIR, INC. It is not to be used or reproduced in any manner, nor submitted to other parties for examination without the prior approval of DEVAIR, INC.

FRACTIONAL DIMENSIONS ± 1/32
 DECIMAL DIMENSIONS ± .003
 UNLESS OTHERWISE SPECIFIED



| | | | | | | | |
|------------------------------|------------|---------|--------|------------------------|---------|------|--|
| NAME OF PROJECT | | | | DESCRIPTION OF DRAWING | | | |
| 5 HP, 80 GAL, 150 PSI PRESS. | | | | COMPRESSOR OUTPUT | | | |
| DRAWN BY | CHECKED BY | DATE | SCALE | DRAWING NO. | SHT NO. | REV. | |
| WALDM | | 09FEB06 | N.T.S. | ISS-10080H | | | |