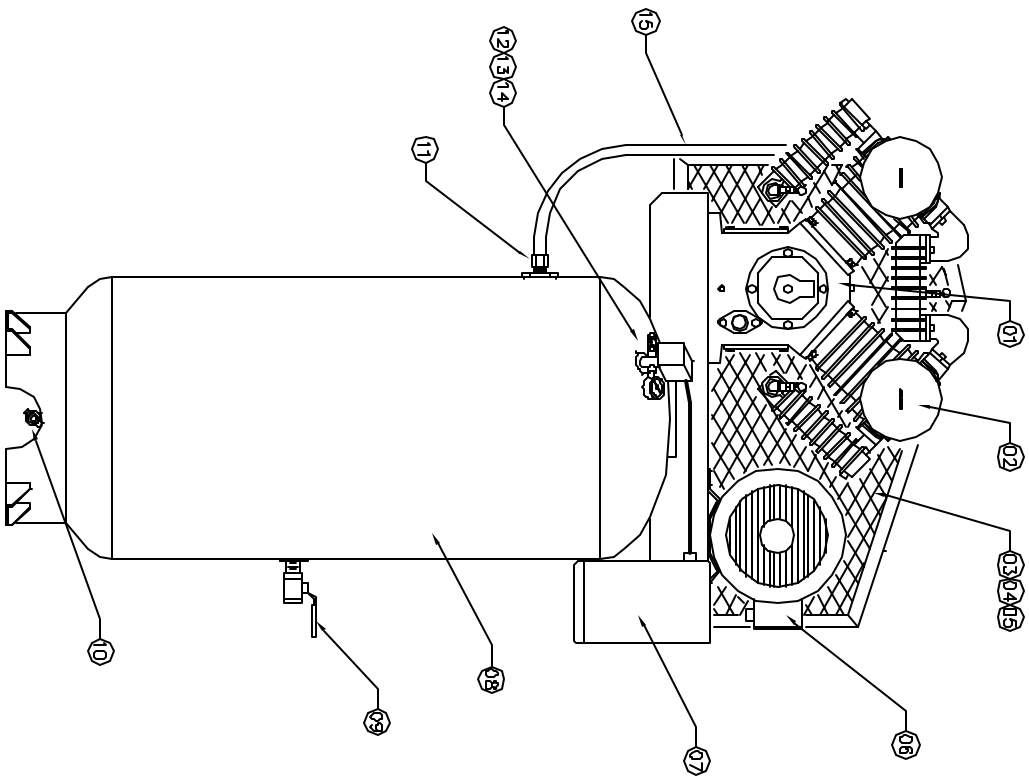


REV.	DATE	REVISION DESCRIPTION	PON. NO.
			03-04



ITEM	PART NUMBER		QTY	DESCRIPTION
	155-10080 UNIT	157-10080 UNIT		
01	DEV-100		1	PUMP ASSEMBLY
02	PB-21176001		2	INTAKE FILTER ASSEMBLY
	PB-21177013		2	INTAKE FILTER ELEMENT
03	EG-9491		1	BELT GUARD ASSEMBLY
04	PU-9236		1	MOTOR PULLEY (4.95 OD, 1 1/8" BORE, 2B)
	PU-9091		1	MOTOR PULLEY (6.35 OD, 1 1/8" BORE, 2B)
05	BT-9041		2	DRIVE BELT (B74)
06	MD-9025	MD-9033	1	MOTOR 230-60-1
	MD-6407	MD-6507	1	MOTOR 200/208-60-3
	MD-6435	MD-6535	1	MOTOR 230-60-3
	MD-6435	MD-6535	1	MOTOR 460-60-3
	MD-6414	MD-6514	1	MOTOR 575-60-3
07	MS-140-03		1	STARTER 230-80-1
	MS-340-43		1	STARTER 200/208-60-3
	MS-340-43		1	STARTER 230-60-3
	MS-340-45		1	STARTER 460-60-3
	MS-340-89		1	STARTER 575-60-3
08	TA-9501		1	TANK - 80 GALLON VERT.
09	VA-9705		1	BALL VALVE
	SS-2727		1	DRAIN VALVE
11	CEV-9406		1	CHECK VALVE
12	SSS-9D03U115150		1	PRESSURE SWITCH
13	GA-250		1	PRESSURE GAUGE
14	TA-5200		1	SAFETY VALVE 200 PSI
15	CT-9749		1	AFTERCooler TUBE

IMPORTANT NOTE: This print is the confidential property of DEVAIR, INC. It is not to be used or reproduced in any manner, nor submitted to other parties for examination without the prior approval of DEVAIR, INC.

FRACTIONAL DIMENSIONS: 1/32
DECIMAL DIMENSIONS: ±.005
UNLESS OTHERWISE SPECIFIED

NAME OF PROJECT

5 & 7.5 HP INDUSTRIAL STANDARD UNIT

C/W DEV-100 PUMP

DRAWN BY CHECKED BY DATE OPERATOR N.T.S.

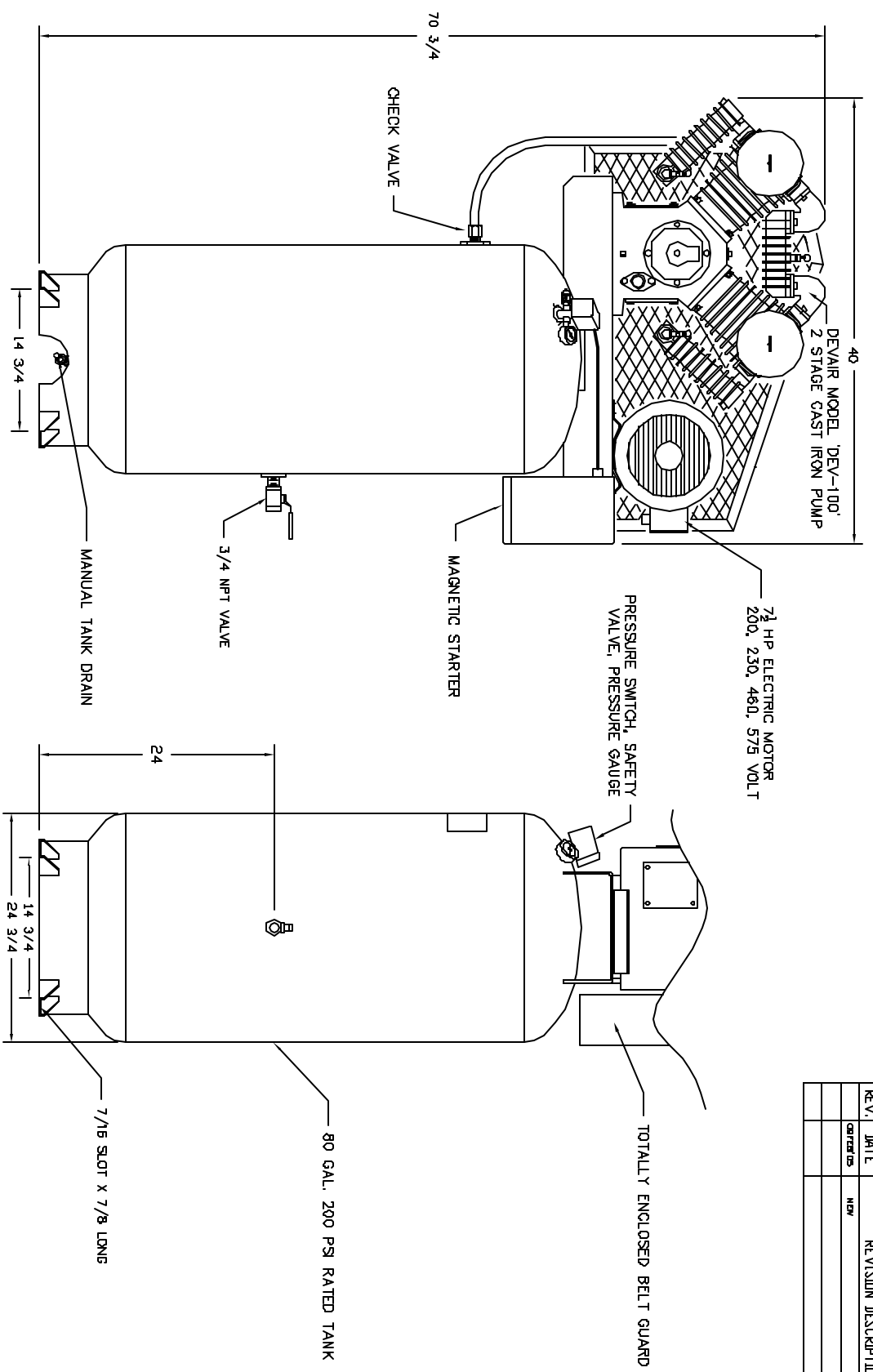
DESCRIPTION OF DRAWING

COMPRESSOR OUTFIT

DRAWING NO. 155-10080 (5 HP)

SHT NO/REV 157-10080 (7.5 HP)

REV.	DATE	REVISION DESCRIPTION	PON. NO.
NEW			03-04



COMPRESSOR OUTPUT DATA				PRESSURE SETTING RECEIVER CAPACITY				COMPRESSOR PUMP DATA				WEIGHT		ELECTRICAL					
MODEL	HP	DISPL. SCFM	DEL'Y SQFM	PSIG	KPA	GAL.	LITRS	TYPE	CYCL.	STAGE	RPM	LB.	KG.	VOLTAGE	230/1	200/3	230/3	480/3	575/3
IS5-10080	5	23.5	17.0	150	1035	80	302	DEV-100	4	2	435	675	307	FULL LOAD	25.0	15.4	13.2	6.6	5.3
IS7-10080	7.5	31.0	22.0	150	1035	80	302	DEV-100	4	2	570	720	327	AMP	31.0	23.0	21.8	10.8	8.2

IMPORTANT NOTE: This print is the confidential property of Devair, Inc. It is not to be used or reproduced in any manner, nor submitted to other parties for examination without the prior approval of Devair, Inc.

FRACTIONAL DIMENSIONS: ±1/32
 DECIMAL DIMENSION: ±.005
 UNLESS OTHERWISE SPECIFIED



NAME OF PROJECT				DESCRIPTION OF DRAWING			
5 & 7.5 HP, 80 GAL, 150 PSI PRESS.				COMPRESSOR OUTPUT			
DRAWN BY	CHECKED BY	DATE	SCALE	DRAWING NO.	SHT NO.	REV.	
WALON				ISS-10080 (5 HP)			
				IS7-10080 (7.5 HP)			