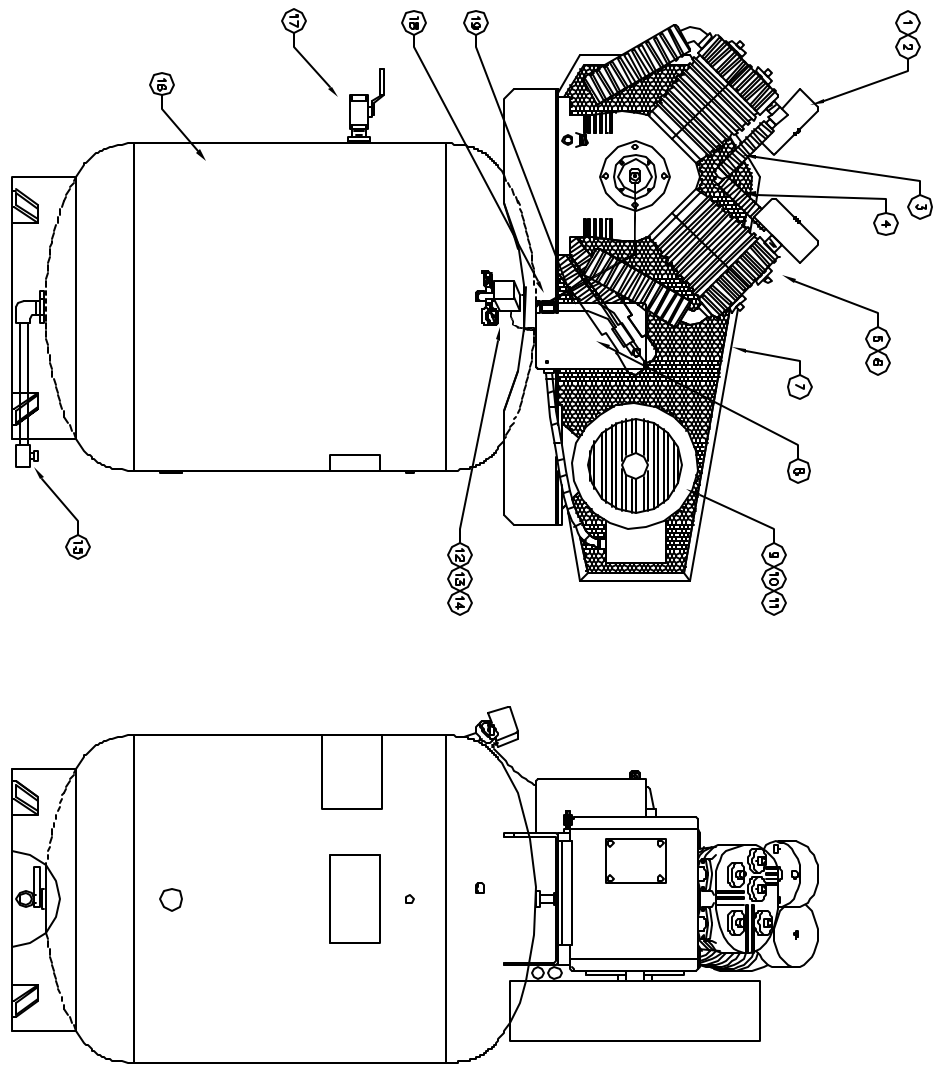


PART NUMBER	DESCRIPTION
1 357-9401	FILTER ASSEMBLY
2 387-9701	FILTER ELEMENT
3 CT-9480	AFTERCoolER TUBE
4 CT-9479	AFTERCoolER TUBE
5 447-4523	PUMP ASSEMBLY
6 445-2-1	FLYWHEEL - 20" OD
7 EO-9487	BELT GUARD ASSEMBLY
8 MS-360-43	MAG STARTER 200/230-80-3
MS-340-45	MAG STARTER 460-60-3
MS-340-69	MAG STARTER 575-60-3
9 MO-6712	MOTOR 200-BD-3
MO-6713	MOTOR 230/460-60-3
MO-6791	MOTOR 575-BD-3
10 PU-9198	MOTOR PULLEY
11 BT-8036	BELTS (2)
12 SSS-8003-115150	PRESSURE SWITCH
13 GA-290	PRESSURE GAUGE
14 T1A-5200	SAFETY VALVE 200 PSI
15 SS-2707	DRAIN DOCK
16 TA-9489	TANK - 120 GAL VERT
17 VA-8705	BALL VALVE
18 CV-9408	CHECK VALVE
19 CT-9487	CHECK VALVE TUBE

IMPORTANT NOTE: This print is the confidential property of DEVAIR, INC. It is not to be used or reproduced in any manner, nor submitted to other parties for examination without the prior approval of DEVAIR, INC.



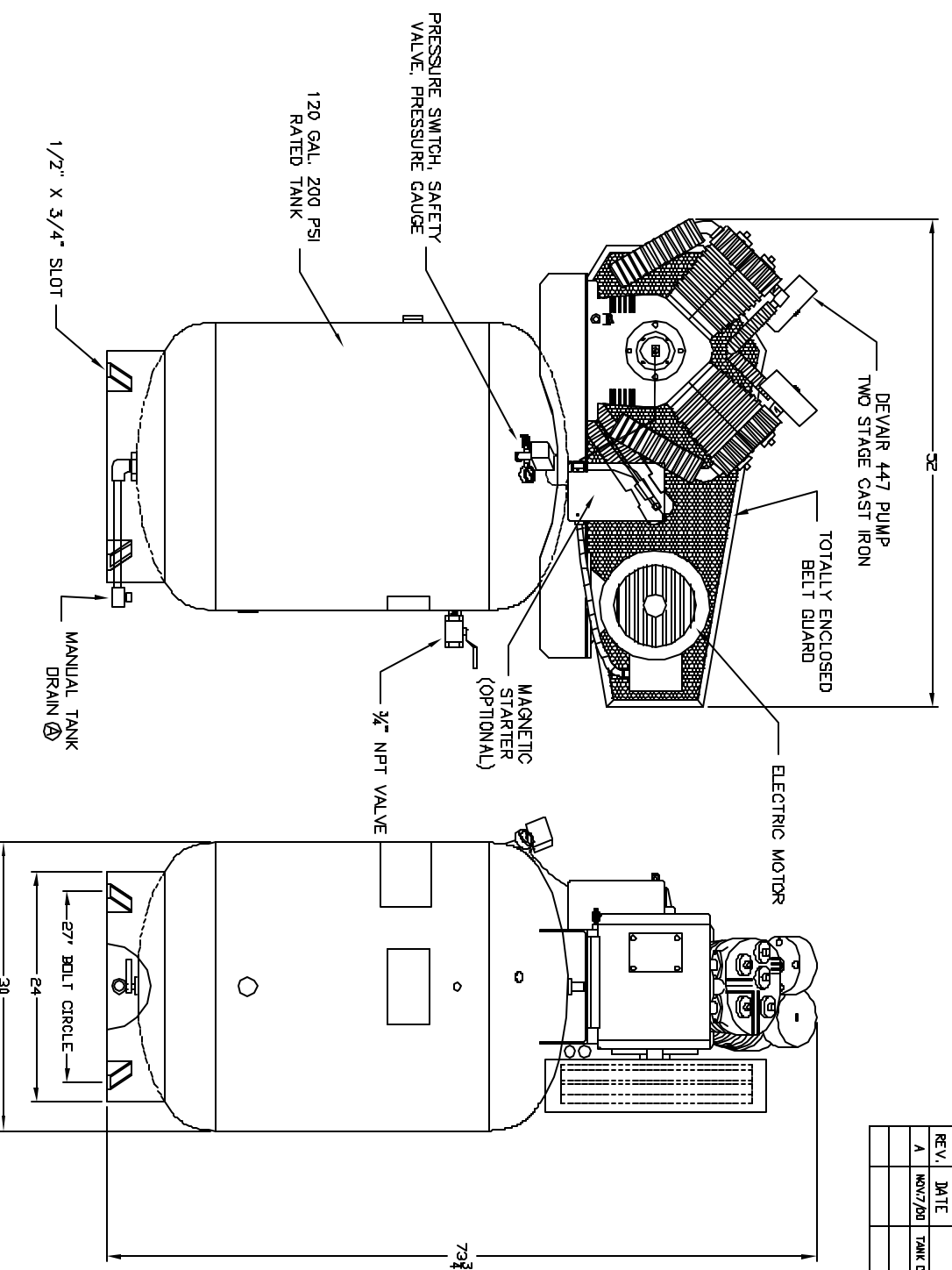
REV.	DATE	REVISION DESCRIPTION	PON. NO.
A	11.07.00	TANK DRAIN MOVED TO SIDE	---
B	08.22.01	EO-9487 WAS EO-9402-1-P	01-28

FRACTIONAL DIMENSIONS: ±.1/32
 DECIMAL DIMENSION: ±.005
 UNLESS OTHERWISE SPECIFIED



NAME OF PROJECT		DESCRIPTION OF DRAWING	
15 HP SIMPLEX UNIT	C/W 447 PUMP	COMPRESSOR QUFTT	
DRAWN BY ADAM SMITH	CHECKED BY DATE 11SEP00	DRAWING NO. VAVV-5062	SHT NO/REV 9
	N.T.S.		

REV.	DATE	REVISION DESCRIPTION	PON. NO.
A	NOV/7/00	TANK DRAIN MOVED TO SIDE	



COMPRESSOR OUTFIT DATA				PRESSURE SETTING		RECEIVER CAPACITY		COMPRESSOR PUMP DATA			WEIGHT		ELECTRICAL					
MODEL	HP	DISP SCFM	DEL'Y SCFM	PSIG	KPA	GAL.	LITRS	TYPE	CYLD.	STAGE	RPM	LB.	KG.	VOLTAGE	200/3	230/3	460/3	575/3
VAVV-5062	15	64.8	52.1	150	1034	120	454	447	4	2	880	1070	485	F.L.A.	47	42	21	16

IMPORTANT NOTE: This print is the confidential property of DEVAIR, INC. It is not to be used or reproduced in any manner, nor submitted to other parties for examination without the prior approval of DEVAIR, INC.

FRACTIONAL DIMENSIONS: 1/32
DECIMAL DIMENSION: ±.005
UNLESS OTHERWISE SPECIFIED



NAME OF PROJECT				DESCRIPTION OF DRAWING			
15 HP SIMPLEX C/W 447 PUMP				COMPRESSOR OUTFIT			
DRAWN BY	CHECKED BY	DATE	SCALE	DRAWING NO.	SHT NO.	REV.	
ADAM SMITH		SEPT. 11/00	N.T.S.	VAVV-5062		A	