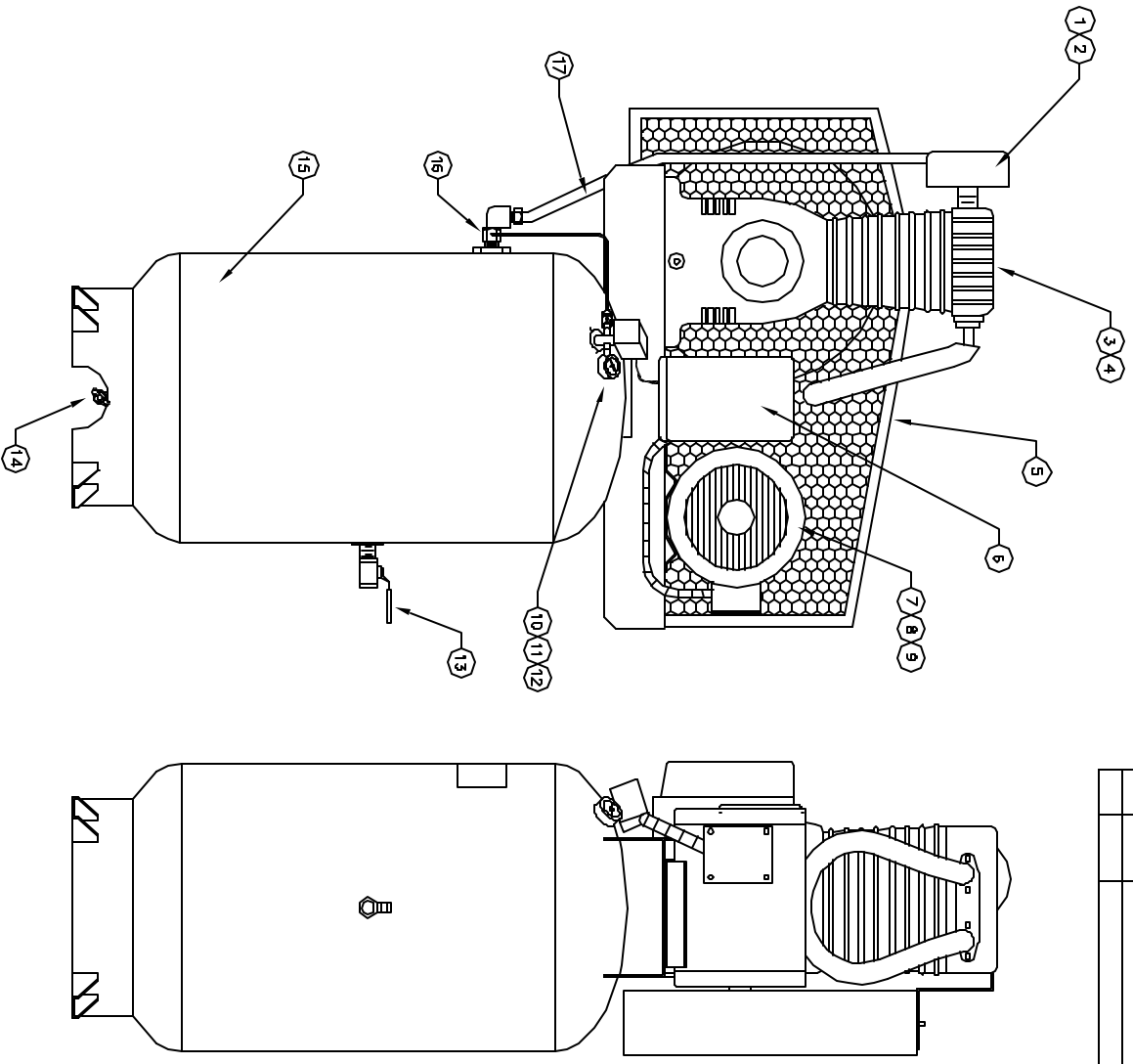


PART NUMBER	DESCRIPTION
1 357-9401	FILTER ASSEMBLY
2 357-9701	FILTER ELEMENT
3 247-4502	COMPRESSOR PUMP
4 432-2-1	FLYWHEEL - 20" OD
5 EG-9485	BELT CLARD
6 MS-140-03	MAG STARTER 230-60-1
MS-340-43	MAG STARTER 200/230-60-3
MS-340-45	MAG STARTER 460-60-3
MS-340-69	MAG STARTER 575-60-3
7 MO-9026	MOTOR 230-60-1
MO-6407	MOTOR 200-60-3
MO-6435	MOTOR 230/480-60-3
MO-6414	MOTOR 575-60-3
B PU-9092	MOTOR PULLEY
9 BT-9099	BELTS (2)
10 S55-9003V115150	PRESSURE SWITCH
11 GA-250	PRESSURE GAUGE
12 T1A-9200	SAFETY VALVE 200 PSI
13 VA-9706	BALL VALVE
14 SS-2707	DRAIN COCK
15 TA-9485-3	TANK - 80 GAL VERT
16 CCV-9403	CHECK VALVE
17 CT-9727	AFTERCoolER TUBE

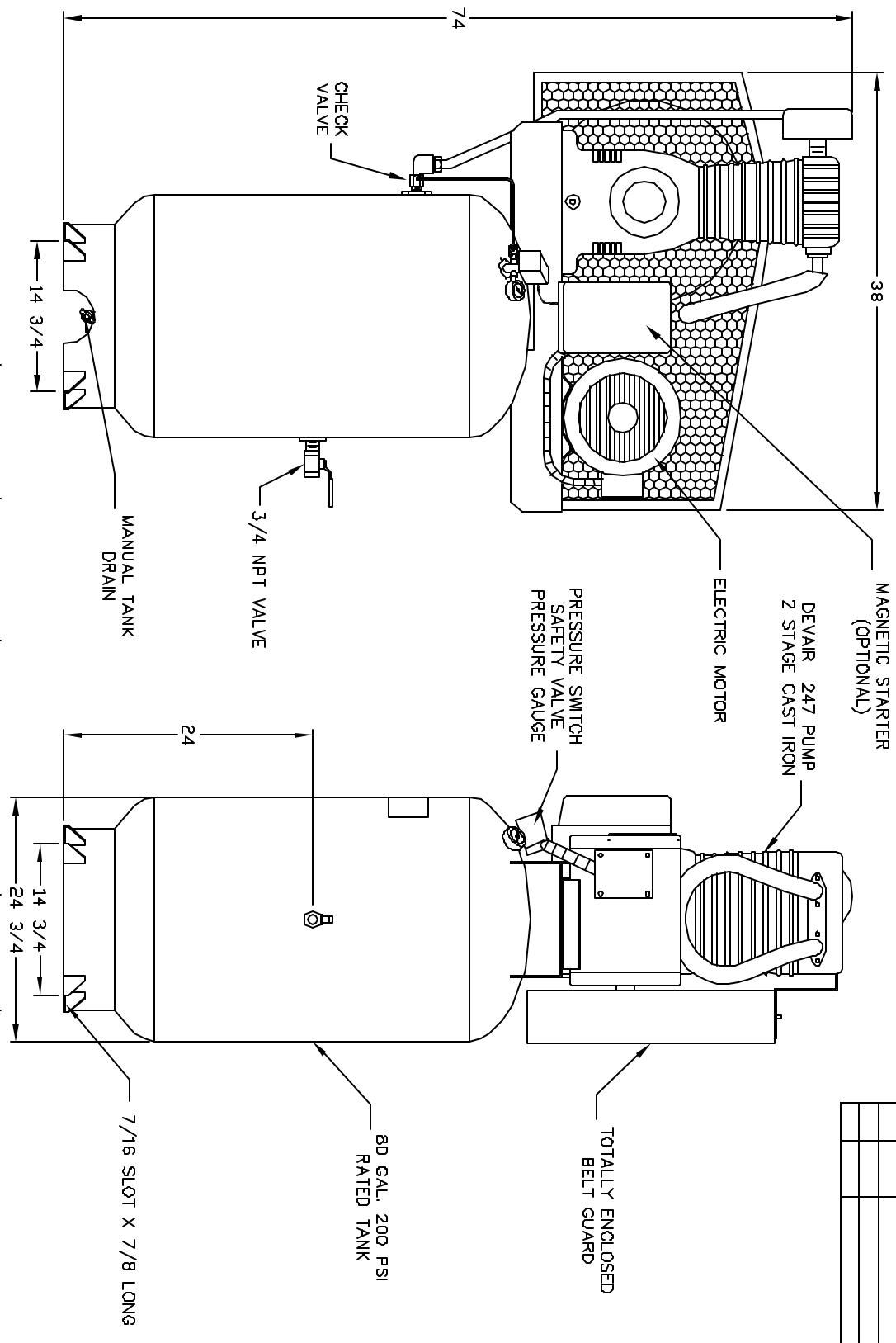


REV.	DATE	REVISION DESCRIPTION	PON. NO.

IMPORTANT NOTE: This print is the confidential property of DEVAIR, INC. It is not to be used or reproduced in any manner, nor submitted to other parties for examination without the prior approval of DEVAIR, INC.

FRACTIONAL DIMENSIONS: ±1/32 DECIMAL DIMENSIONS: ±.005 UNLESS OTHERWISE SPECIFIED		DEVAIR	NAME OF PROJECT 5 HP SIMPLEX UNIT		DESCRIPTION OF DRAWING COMPRESSOR OUTFIT	
DRAWN BY (NAME)	CHECKED BY (NAME)		DATE 28 APR/00	SCALE N.T.S.	DRAWING NO. TAPV-5052	SHEET NO./REV. /

REV.	DATE	REVISION DESCRIPTION	PON. NO.



COMPRESSOR OUTPUT DATA				PRESSURE SETTINGS				RECEIVER CAPACITY		COMPRESSOR PUMP DATA				WEIGHT		ELECTRICAL				
MODEL	HP	DISP SCFM	DEL'TY SCFM	PSIG	KPA	GAL.	UTRS	TYPE	CYLD.	STAGE	RPM	LB.	KG.	VOLTAGE	F.L.A.	230/1	200/3	230/3	460/3	575/3
TAPV-5052	5	23.4	19.8	150	1034	80	302	247	2	2	635	685	310	230	23	15.4	13.2	6.6	5.3	5.3

IMPORTANT NOTE: This print is the confidential property of DEVAIR, INC. It is not to be used or reproduced in any manner, nor submitted to other parties for examination without the prior approval of DEVAIR, INC.

FRACTIONAL DIMENSIONS: ±.002
 DECIMAL DIMENSION: ±.005
 UNLESS OTHERWISE SPECIFIED



NAME OF PROJECT				DESCRIPTION OF DRAWING			
5 HP SIMPLEX C/W 247 PUMP				COMPRESSOR OUTPUT			
DRAWN BY CHECKED BY DATE SCALE				DRAWING NO. SHIT NO/REV			
I RUSOFF 18 JAN 99 N.T.S.				TAPV-5052			