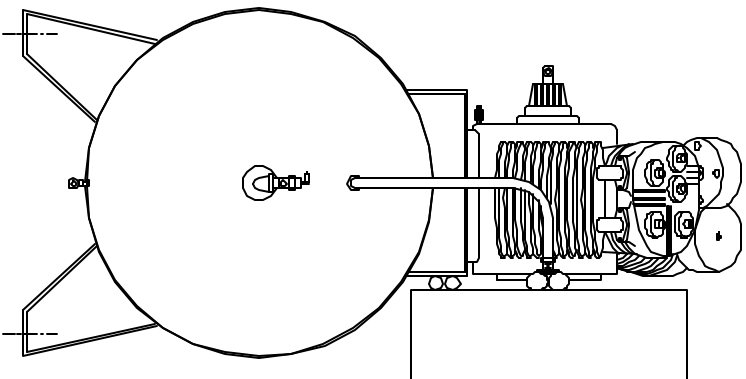
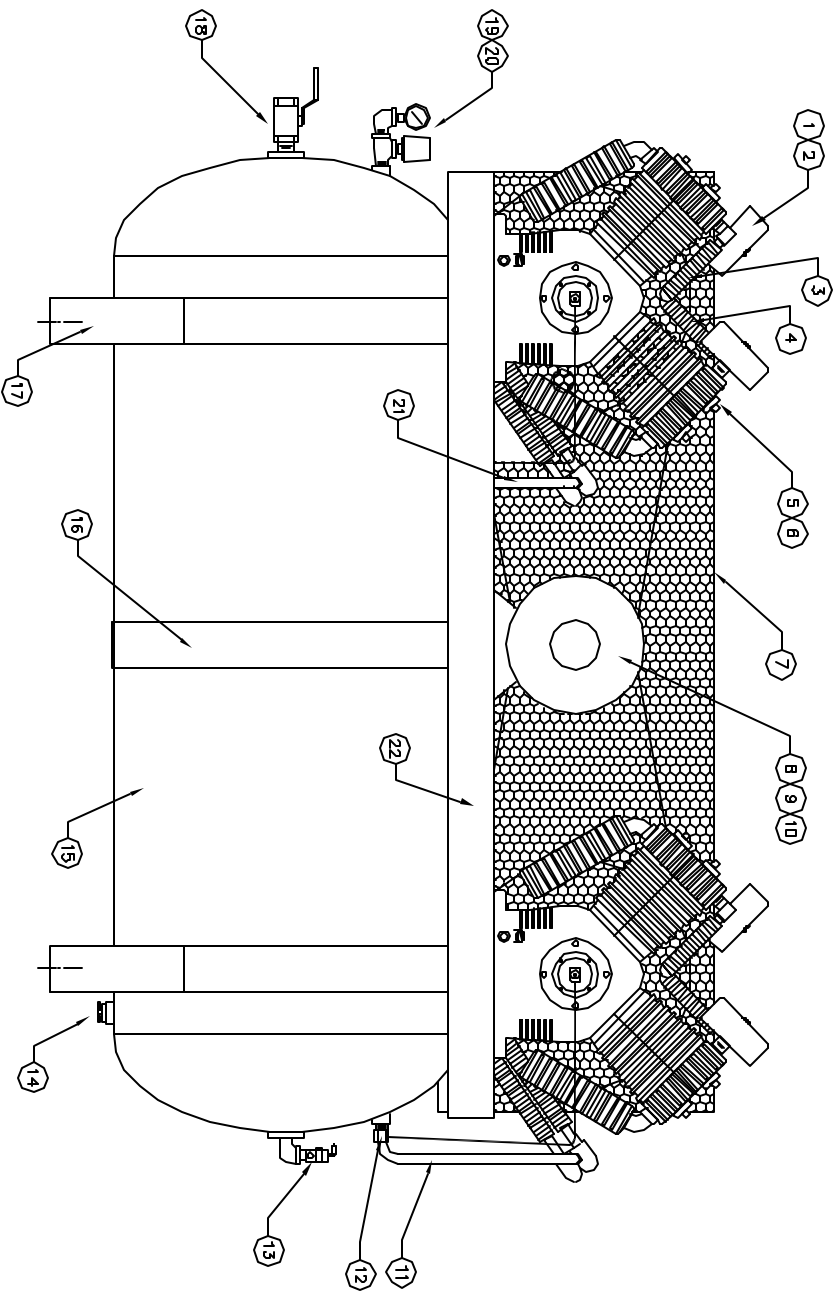


PART NUMBER	DESCRIPTION	QTY	DESCRIPTION	REV.	DATE	REVISION DESCRIPTION	PON. NO.
1 357-9401	FILTER ASSEMBLY	10	BT-119	B	10/22/01	1" CHK VALVE & TUBE, WAS 3/4"	DO-26
2 357-9701	FILTER ELEMENT	11	CT-9737	20	SS-9003-11515D	PRESSURE SWITCH	
3 CT-948Q	AFTERCOOLER TUBE	12	CCV-9408	21	CT-9738	CHECK VALVE TUBE	
4 CT-9479	AFTERCOOLER TUBE	13	SS-00617	22	VAX-9408	COMPRESSOR BASE	
5 447-4523	PUMP ASSEMBLY	14	SS-2707				
6 445-2-1	FLYWHEEL, 20" ØD	15	TA-9003-2				
7 EC-941D	BELT GUARD	16	VAX-9408				
B MO-7001	MOTOR 200-60-3	17	VAX-9407				
B MO-7002	MOTOR 230/460-60-3	18	VA-9722				
MO-7003	MOTOR 973-60-3	19	GA-25D				



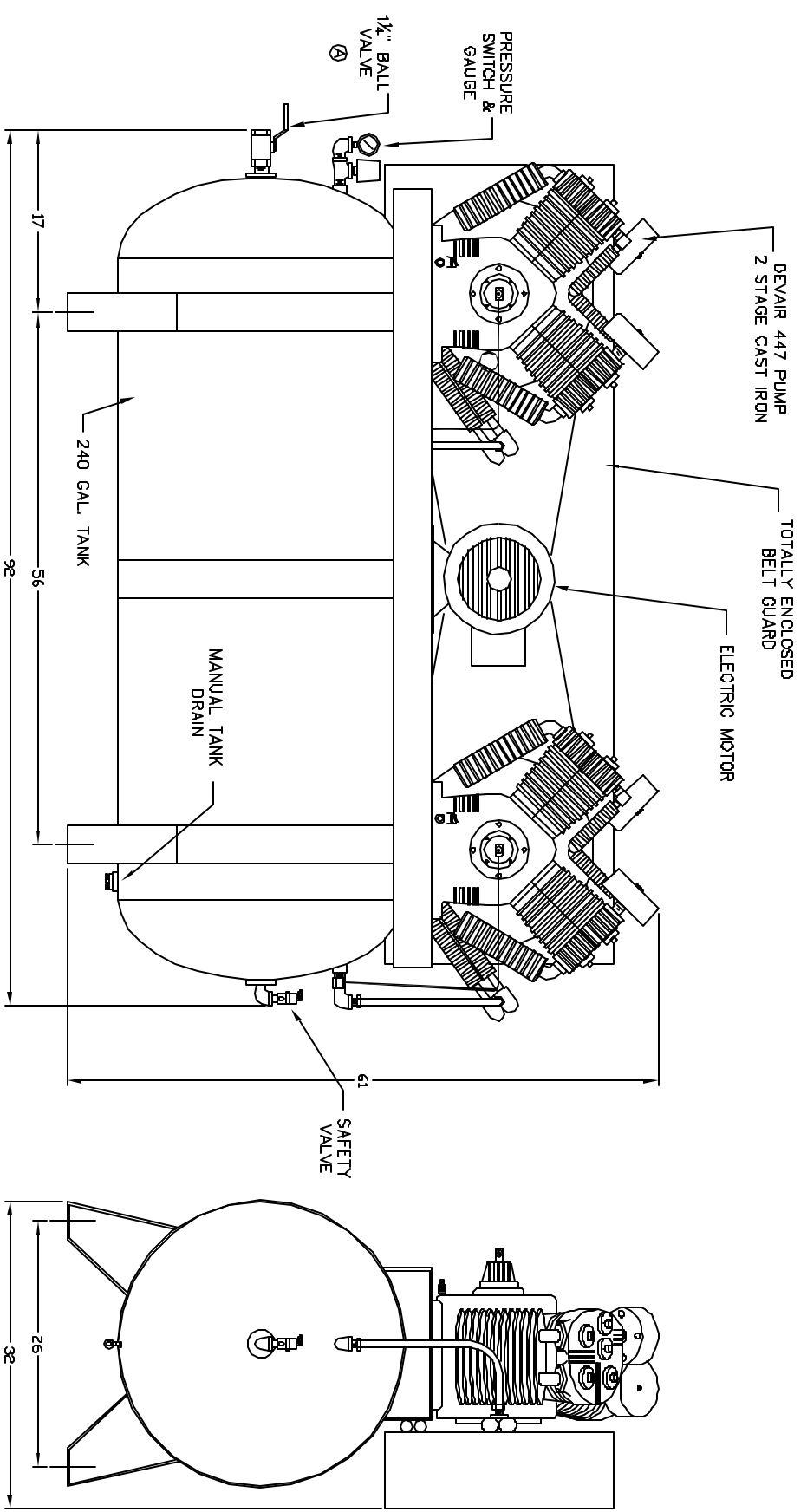
IMPORTANT NOTE: This print is the confidential property of DEVAIR, INC. It is not to be used or reproduced in any manner, nor submitted to other parties for examination without the prior approval of DEVAIR, INC.

FRACTIONAL DIMENSIONS: ±1/32
 DECIMAL DIMENSION: ±.005
 UNLESS OTHERWISE SPECIFIED

DEVAIR

NAME OF PROJECT	DESCRIPTION OF DRAWING
30 HP UNIT C/W 447 PUMPS	COMPRESSOR QUFTT
DRAWN BY: [] CHECKED BY: [] DATE: [] SCALE: N.T.S.	DRAWING NO. VAY-5081 SHT NO. REV. []
ISSUED FILED BY: []	C

REV.	DATE	REVISION DESCRIPTION	PON. NO.
A	10/27/01	1 1/2" WAB 2"	01-28



COMPRESSOR OUTFIT DATA				PRESSURE SETTING		RECEIVER CAPACITY		COMPRESSOR PUMP DATA			WEIGHT		ELECTRICAL					
MODEL	HP	DISP SCFM	DEL'Y SCFM	PSIG	KPA	GAL.	LITRS	TYPE	CYCL.	STAGE	RPM	LB.	KG.	VOLTAGE	200/3	230/3	480/3	575/3
VAY-5081	30	124.1	99.9	150	1034	240	908	447	4	2	845	2550	1156	F.L.A.	85.5	71.2	35.6	30

IMPORTANT NOTE: This print is the confidential property of DEVAIR, INC. It is not to be used or reproduced in any manner, nor submitted to other parties for examination without the prior approval of DEVAIR, INC.

FRACTIONAL DIMENSIONS: ± 1/32
 DECIMAL DIMENSION: ± .005
 UNLESS OTHERWISE SPECIFIED



NAME OF PRODUCT				DESCRIPTION OF DRAWING			
30 HP COMPRESSOR	C/W 447 PUMP	DATE	SCALE	COMPRESSOR OUTFIT	DRAWING NO.	SHT NO/REV	A
DRAWN BY	CHECKED BY	18 JAN 99	N.T.S.	VAY-5081			A