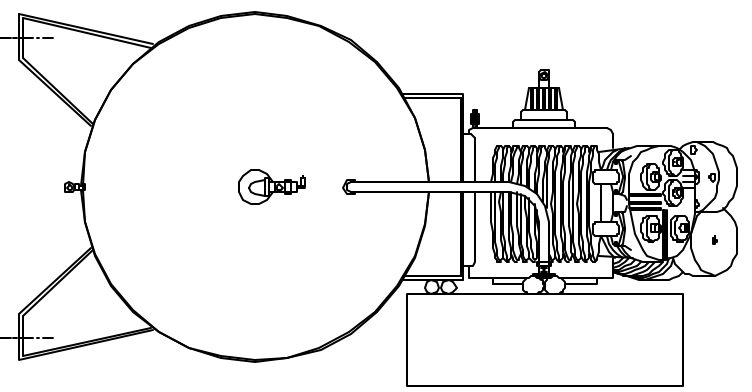
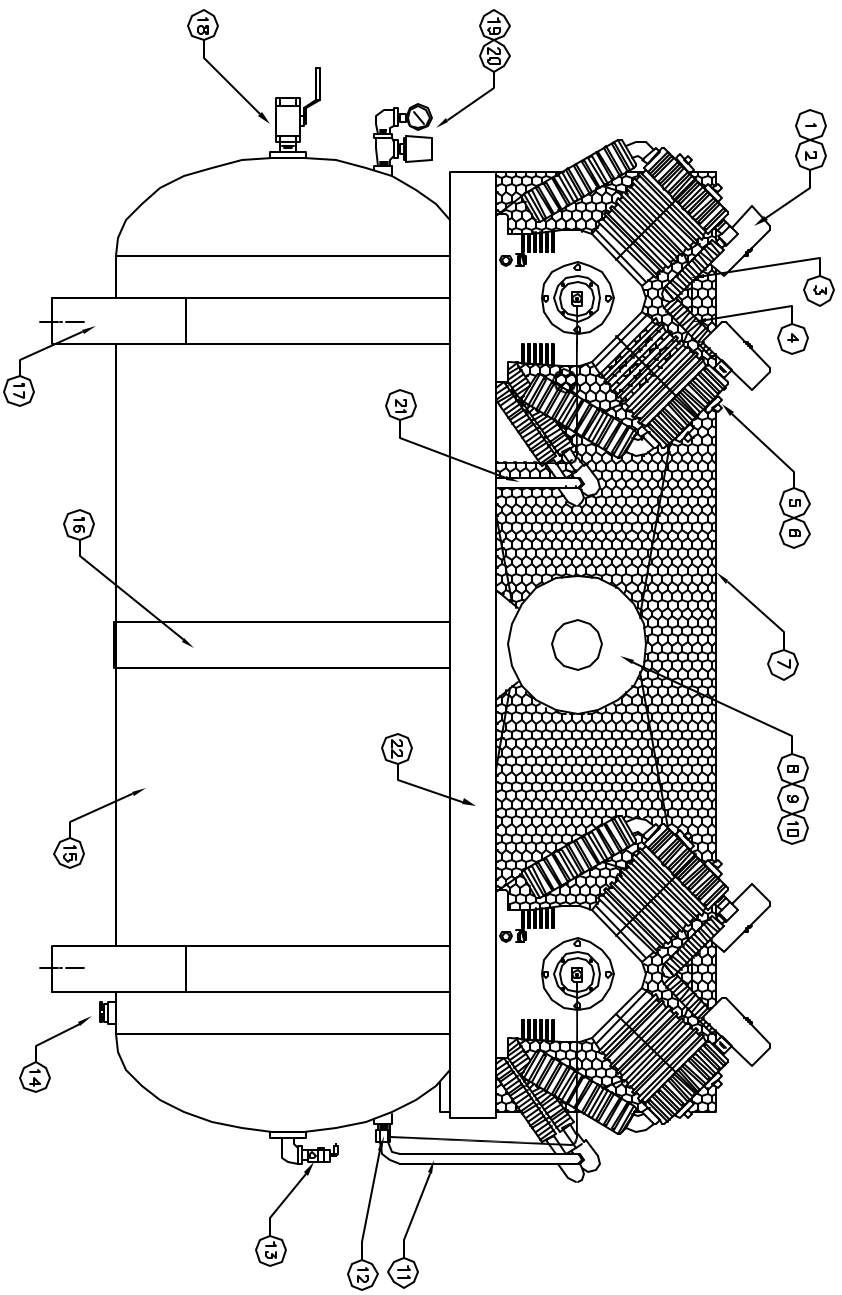


PART NUMBER	DESCRIPTION	QTY	DESCRIPTION	REV.	DATE	REVISION DESCRIPTION	PON. NO.
1 357-9401	FILTER ASSEMBLY	10	BT-118	A	08/22/00	DRAWING REVERSED	DO-26
2 357-9701	FILTER ELEMENT	11	CT-9737	B	12/07/00	CHK'D TO 1" CHK VALVE & TUBE, WAS 3/4"	
3 CT-948Q	AFTERCOOLER TUBE	12	CCV-9408	Q	10/22/01	1 1/2" BALL VALVE WAS 2"	01-26
4 CT-9479	AFTERCOOLER TUBE	13	SS-00617				
5 447-4523	PUMP ASSEMBLY	14	SS-2707				
6 445-2-1	FLYWHEEL, 20" Ø	19	TA-9003-2				
7 EQ-9410	BELT GUARD	16	VAX-9409				
B MO-8901	MOTOR 200-60-3	17	VAX-9407				
B MO-8903	MOTOR 230/460-60-3	18	VA-9722				
MO-6991	MOTOR 973-60-3	19	GA-250				
9 PU-9210	MOTOR PULLEY						
10 BT-118	BELT						
11 CT-9737	CHECK VALVE TUBE						
12 CCV-9408	CHECK VALVE						
13 SS-00617	SAFETY VALVE						
14 SS-2707	DRAIN COCK						
15 TA-9003-2	TANK 240 GAL. HORIZ.						
16 VAX-9409	STRAP ASSEMBLY						
17 VAX-9407	STRAP AND FOOT ASSEMBLY						
18 VA-9722	BALL VALVE						
19 GA-250	PRESSURE GAUGE						



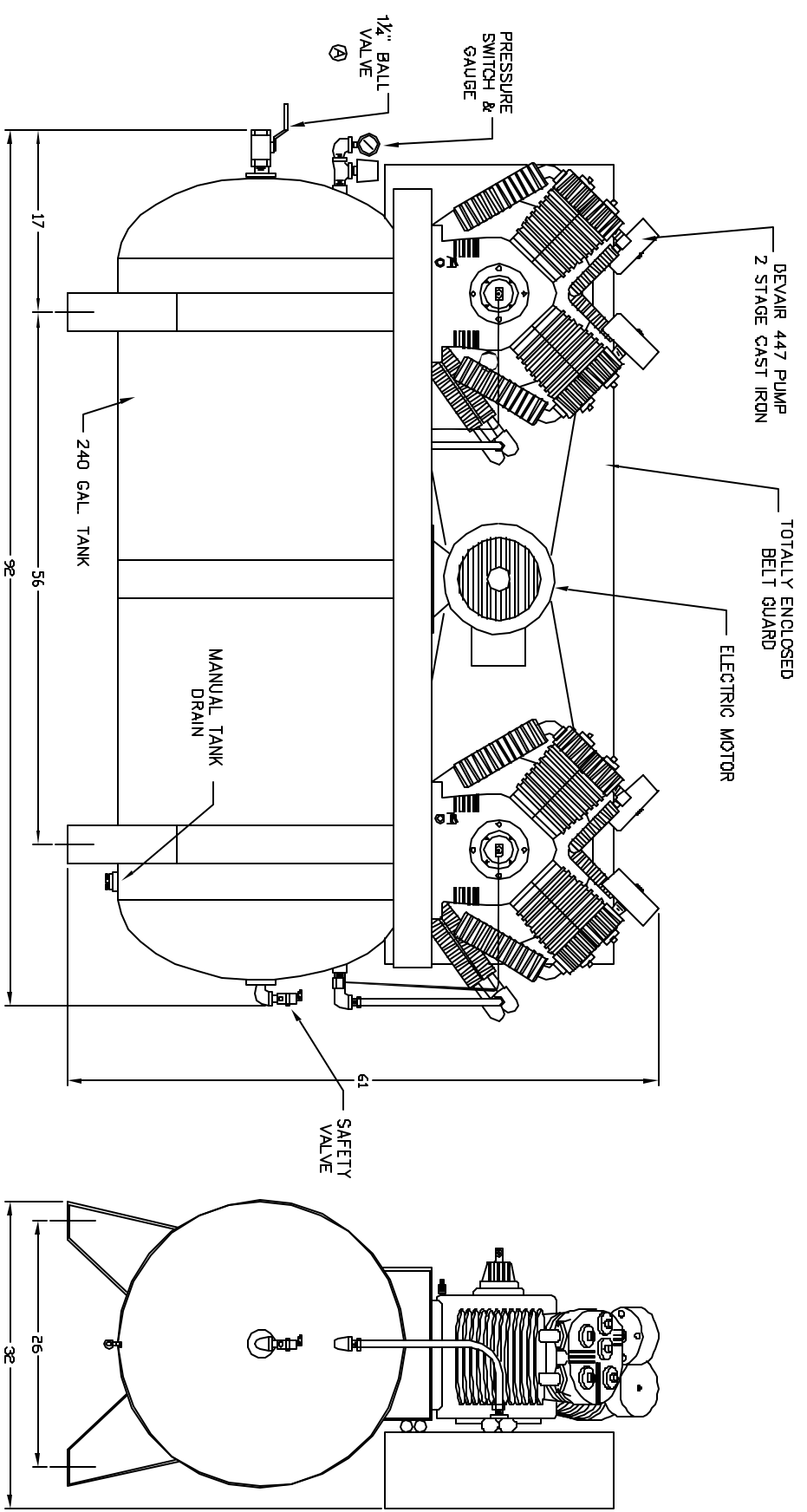
IMPORTANT NOTE: This print is the confidential property of DEVAIR, INC. It is not to be used or reproduced in any manner, nor submitted to other parties for examination without the prior approval of DEVAIR, INC.

FRACTIONAL DIMENSIONS: ±1/32
 DECIMAL DIMENSION: ±.005
 UNLESS OTHERWISE SPECIFIED



NAME OF PROJECT	DESCRIPTION OF DRAWING
25 HP UNIT C/W 447 PUMPS	COMPRESSOR QUFTT
DRAWN BY: [] CHECKED BY: [] DATE: [] SCALE: N.T.S.	DRAWING NO. [] SHT NO./REV. []
ISSUED FILED BY: []	VAX-5081
	C

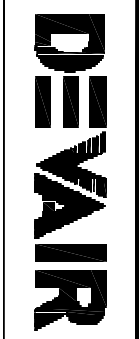
REV.	DATE	REVISION DESCRIPTION	PON. NO.
1	10/27/01	12" W&B 2"	01-28



COMPRESSOR OUTFIT DATA				PRESSURE SETTING		RECEIVER CAPACITY		COMPRESSOR PUMP DATA			WEIGHT		ELECTRICAL					
MODEL	HP	DISP SCFM	DEL'Y SCFM	PSIG	KPA	GAL.	LITRS	TYPE	CYCL.	STAGE	RPM	LB.	KG.	VOLTAGE	200/3	230/3	480/3	575/3
VAX-5081	25	108.2	87.0	150	1034	240	908	447	4	2	735	2450	1111	F.L.A.	70.5	60	30	24

IMPORTANT NOTE: This print is the confidential property of DEVAIR, INC. It is not to be used or reproduced in any manner, nor submitted to other parties for examination without the prior approval of DEVAIR, INC.

FRACTIONAL DIMENSIONS: ± 1/32
 DECIMAL DIMENSION: ± .005
 UNLESS OTHERWISE SPECIFIED



NAME OF PRODUCT				DESCRIPTION OF DRAWING			
25 HP COMPRESSOR C/W 447 PUMP				COMPRESSOR OUTFIT			
DRAWN BY	CHECKED BY	DATE	SCALE	DRAWING NO.	SHT NO.	REV.	
PMV HILSOPH		18 JAN 99	N.T.S.	VAX-5081		A	