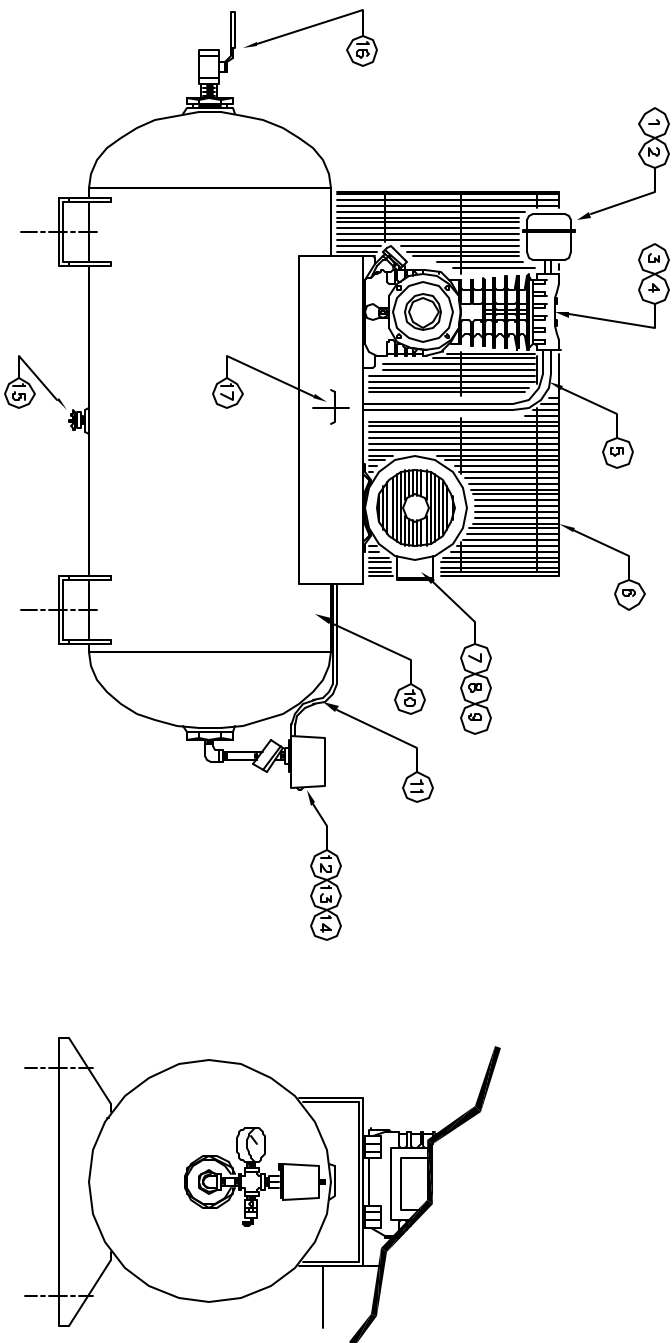


REF	PART NO.	DESCRIPTION
1	356-9406	FILTER ASSEMBLY
2	356-9701	FILTER ELEMENT
3	223-007	PUMP ASSY LESS CPR
4	31438-124	FLYWHEEL-12" OD
5	CT-9742	AFTERCooler TUBE
6	EG-9489	BELT GUARD
7	MO-8236	MOTOR 115/230-1
	MO-8235	MOTOR 208/230/480-3
	MO-8220	MOTOR 575-3
8	PU-9228	PULLEY (FOR 1 PHASE)
	PU-9229	PULLEY (FOR 3 PHASE)
9	BT-9039	BELT
10	TA-9485	TANK-30 GAL. HORIZ.
11	R8505	PRESS. RELEASE TUBE
12	SSS-9002-U90100	PRESSURE SWITCH
13	GA-250	PRESSURE GAUGE
14	TA-5140	SAFETY VALVE-140 PSI
15	SS-2707	MANUAL DRAIN COCK
16	VA-9411	BALL VALVE-1/4"NPT
17	CCV-9401	CHECK VALVE-1/2"NPT



REV.	DATE	REVISION DESCRIPTION	PCH. NO.
	MAR28'03	NEW	02-13

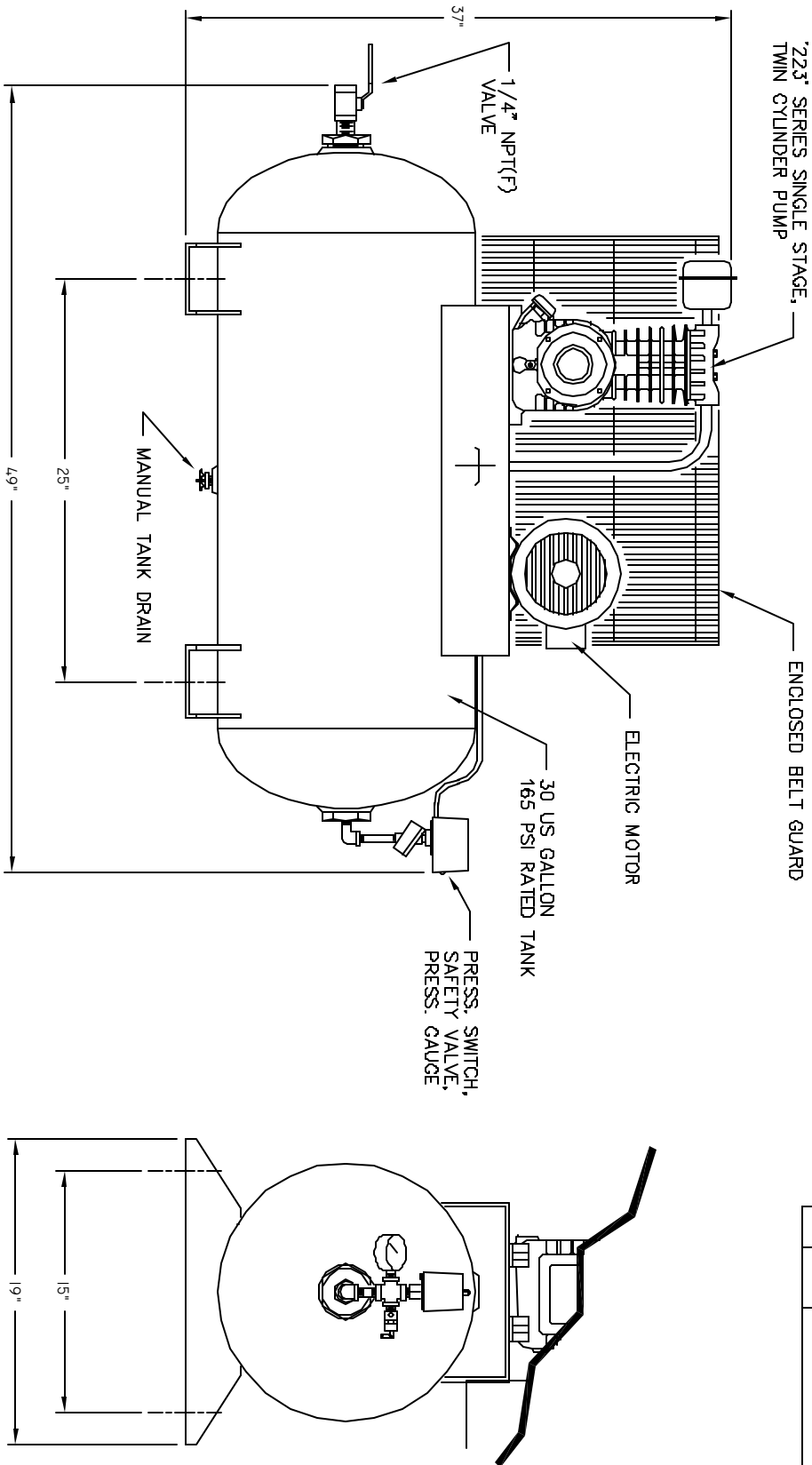
IMPORTANT NOTE: This print is the confidential property of Devair Inc. It is not to be used or reproduced in any manner nor submitted to other parties for examination without the prior approval of Devair Inc.

FRACTIONAL DIMENSIONS: 1/32
DECIMAL DIMENSIONS: 2, 1005
UNLESS OTHERWISE SPECIFIED

DEVAIR

NAME OF PROJECT		DESCRIPTION OF DRAWING	
2 HP SIMPLEX UNIT C/W 223 SERIES PUMP		COMPRESSOR UNIT	
DRAWN BY	CHECKED BY	DRAWING NOS.	SHT NO
W/BLDM	MAR28'03	UDN-5032	REV.

REV.	DATE	REVISION DESCRIPTION	PCN NO.
	MAR2703	NEW	02-43

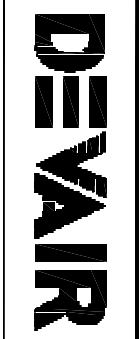


MODEL	HP	DISPLACEMENT SCFM	L/S	DELIVERY SCFM	L/S	PRESSURE SETTING	RECEIVER CAPACITY	PUMP DATA TYPE	WEIGHT LB.	KG.	ELECTRICAL - VOLTAGE & F.L.A.
UDL-5032	1	5.7	2.7	3.7	1.7	100 PSIG 690 KPA	30 US GAL. 113 LITRES	223	445	400	120/1 230/1 200/3 250/3 460/3 575/3
UDM-5032	1.5	8.9	4.1	5.6	2.6	125 PSIG 862 KPA			182	189	6.7 3.1 2.8 1.4 1.1
UDN-5032	2	11.4	5.3	7.0	3.2				416	435	9.0 4.6 4.2 2.1 1.7
									198	198	10.2 6.2 5.6 2.8 2.2

NOTE: DISPLACEMENT/DELIVERY/RPM FIGURES ARE FOR 3 PHASE UNITS ONLY. FOR SINGLE PHASE UNITS, USE A D.B. MULTIPLIER.

IMPORTANT NOTE: This print is the confidential property of Devair Inc. It is not to be used or reproduced in any manner nor submitted to other parties for examination without the prior approval of Devair Inc.

FRACTIONAL DIMENSIONS: ±1/32
DECIMAL DIMENSION: ±.005
UNLESS OTHERWISE SPECIFIED



NAME OF PROJECT		DESCRIPTION OF DRAWING	
DRAWN BY	CHECKED BY	DRAWING NO.	SHT NO
1 HP TO 2 HP SIMPLEX C/W 223 SERIES PUMP	MAR2503	UDL-5032 TO UDN-5032	
DATE	SCALE		REV.
	N.T.S.		