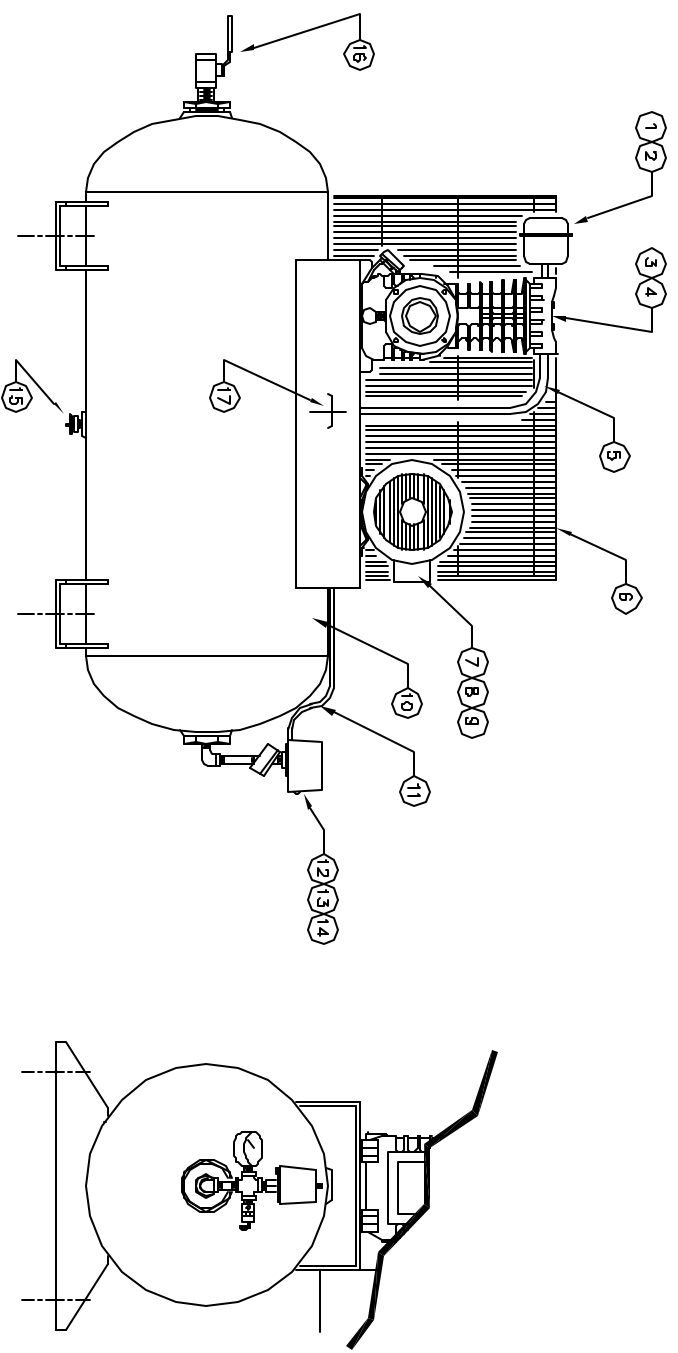


REF	PART NO.	DESCRIPTION
1	356-9406	FILTER ASSEMBLY
2	356-9701	FILTER ELEMENT
3	123-4502	PUMP ASSY LESS CPR
4	31438-124	FLYWHEEL-12" OD
5	CT-9717	AFTERCooler TUBE
6	EG-9489	BELT GUARD
7	MO-9012	MOTOR 11.5/230-1
	MO-6035	MOTOR 208/230/460-3
	MO-6023	MOTOR 575-3
8	PU-9227	PULLEY (FOR 1 PHASE)
	PU-9229	PULLEY (FOR 3 PHASE)
9	BT-9039	BELT
10	TA-9485	TANK-30 GAL. HORIZ.
11	R8505	PRESS. RELEASE TUBE
12	SSS-9002-U90100	PRESSURE SWITCH
13	GA-250	PRESSURE GAUGE
14	TA-5140	SAFETY VALVE-140 PSI
15	SS-2707	MANUAL DRAIN COCK
16	VA-9411	BALL VALVE-1/4"NPT
17	CCV-9401	CHECK VALVE-1/2"NPT



REV.	DATE	REVISION DESCRIPTION	PCN NO.
	MAR28/03	NEW	02-43

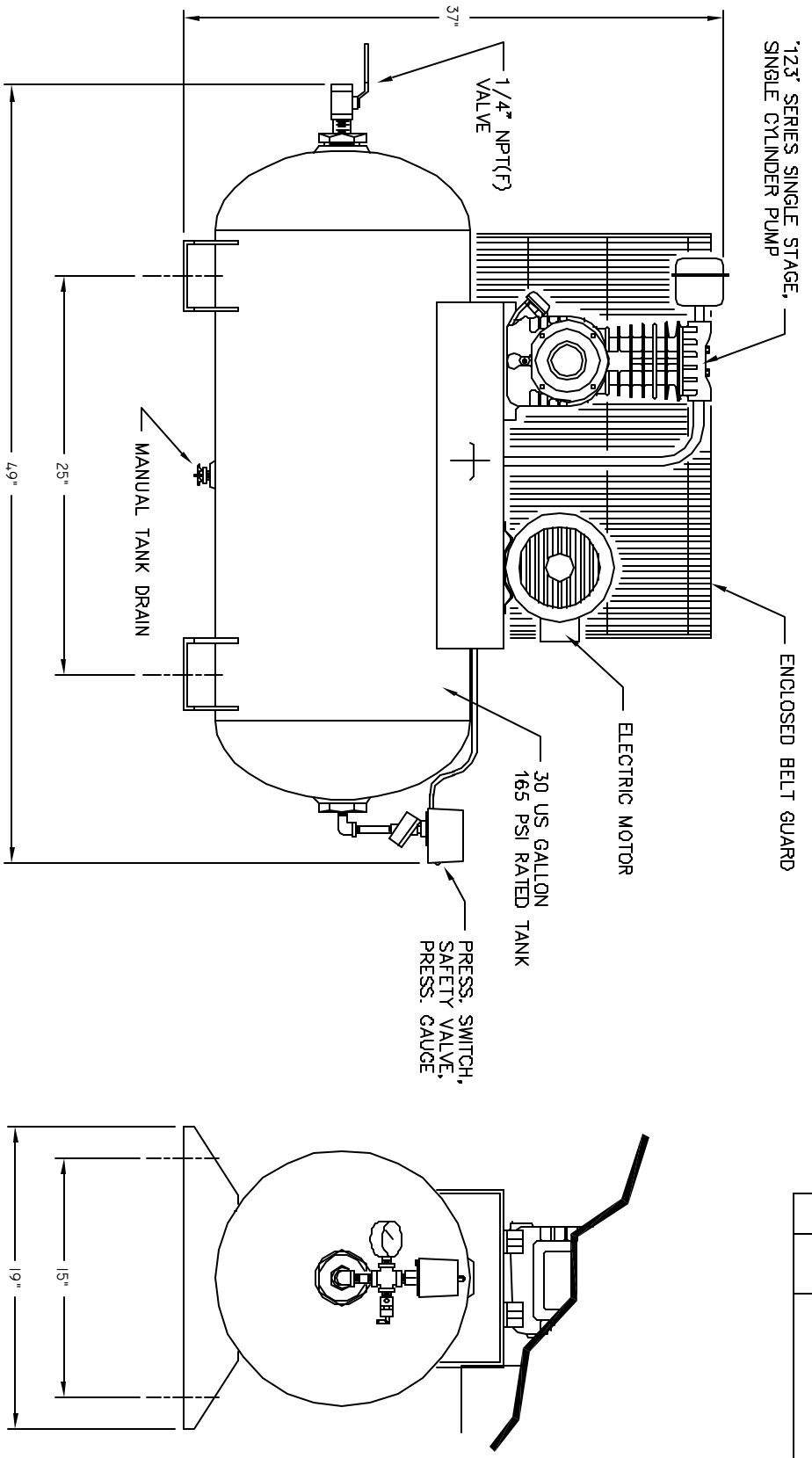
IMPORTANT NOTE: This print is the confidential property of Devair Inc. It is not to be used or reproduced in any manner nor submitted to other parties for examination without the prior approval of Devair Inc.

FRACTIONAL DIMENSIONS: ±1/32  
 DECIMAL DIMENSIONS: ±.005  
 \*UNLESS OTHERWISE SPECIFIED



NAME OF PROJECT		DESCRIPTION OF DRAWING	
1 HP SIMPLEX UNIT C/W 123 SERIES PUMP		COMPRESSOR UNIT	
DRAWN BY	CHECKED BY	DRAWING NOS.	SHT NO.
W/BLDM	MAR28/03	UDL-5031	REV.

REV.	DATE	REVISION DESCRIPTION	PCN NO.
	MAR2003	NEW	02-43



MODEL	HP	DISPLACEMENT SCFM	L/S	DELIVERY SCFM	L/S	PRESSURE SETTING	RECEIVER CAPACITY	PUMP DATA TYPE	WEIGHT LB.	KG.	ELECTRICAL - VOLTAGE & F.L.A.
UDJ-5031	1/2	2.8	1.3	2.0	0.9	100 PSIG	30 US GAL.	123	445	227	120/1 230/1 200/3 230/3 480/3 575/3
UDK-5031	3/4	4.4	2.1	3.0	1.4	690 KPA	113 LITRES		695	231	
UDL-5031	1	5.7	2.7	3.9	1.8				890	237	

NOTE: DISPLACEMENT/DELIVERY/RPM FIGURES ARE FOR 3 PHASE UNITS ONLY. FOR SINGLE PHASE UNITS, USE A 0.8 MULTIPLIER.

IMPORTANT NOTE: This print is the confidential property of Devair Inc. It is not to be used or reproduced in any manner nor submitted to other parties for examination without the prior approval of Devair Inc.

FRACTIONAL DIMENSIONS: ±1/32  
DECIMAL DIMENSION: ±.005  
UNLESS OTHERWISE SPECIFIED



NAME OF PROJECT				DESCRIPTION OF DRAWING			
1/2 HP TO 1 HP SIMPLEX	C/W 123 SERIES PUMP	DATE	SCALE	COMPRESSOR OUTFIT	DRAWING NO.	SHT NO	REV.
DRAWN BY	CHECKED BY	MAR2003	N.T.S.	UDJ-5031 TO			
WBLDM				UDL-5031			