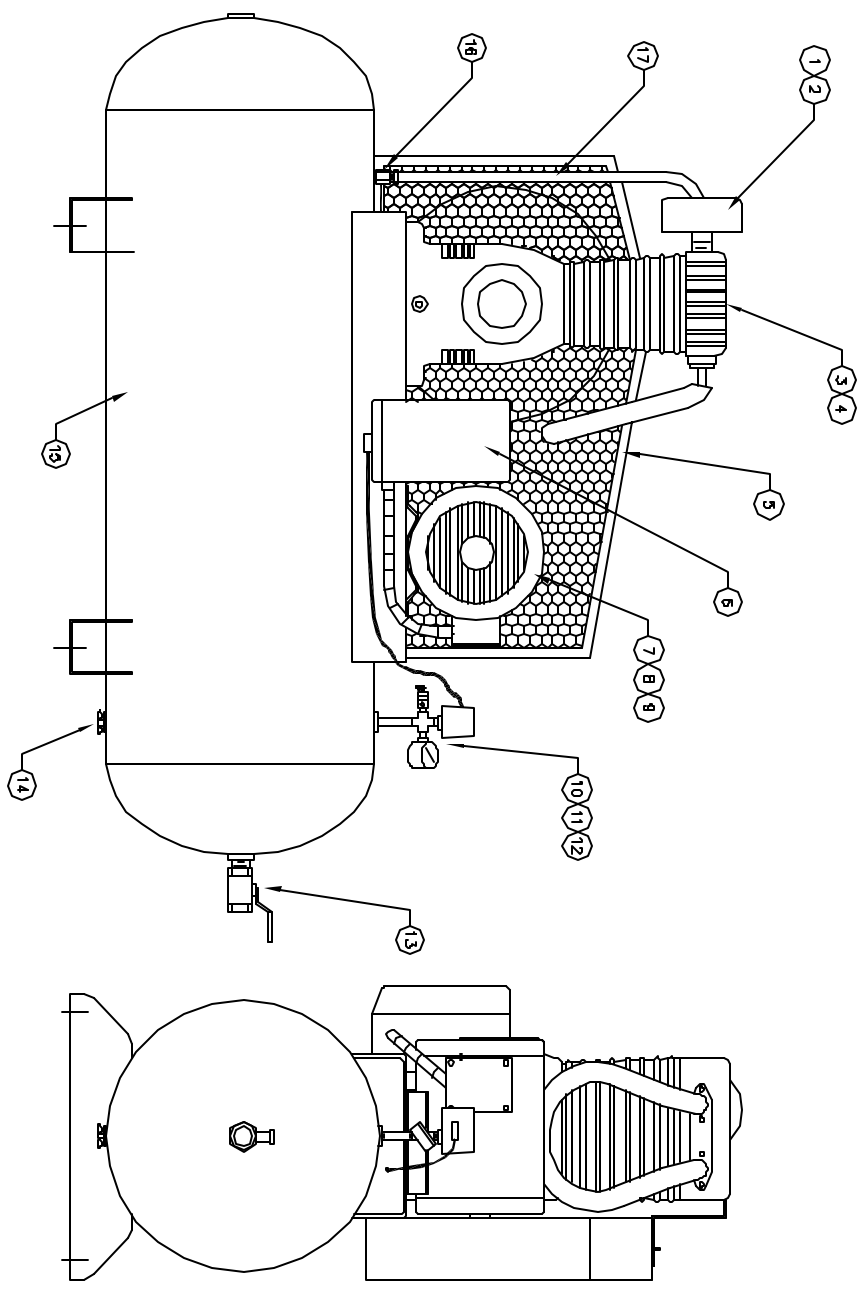


PART NUMBER	DESCRIPTION
1	357-9401 FILTER ASSEMBLY
2	357-9701 FILTER ELEMENT
3	247-4902 COMPRESSOR PUMP
4	432-2-1 FLYWHEEL - 20" OD
5	EG-9485 BELT GUARD
6	MS-14D-03 MAG STARTER 230-60-1
	MS-34D-43 MAG STARTER 200/230-60-3
	MS-34D-45 MAG STARTER 460-60-3
	MS-34D-69 MAG STARTER 575-60-3
7	MO-9033 MOTOR 230-60-1
	MO-6507 MOTOR 200-60-3
	MO-6535 MOTOR 230/480-60-3
	MO-6314 MOTOR 575-60-3
B	PU-9183 MOTOR PULLEY
9	BT-9042 BELTS (2) (1 PHASE)
	BT-39 BELTS (2) (3 PHASE)
10	SSS-9DD3U11S150 PRESSURE SWITCH
11	GA-290 PRESSURE GAUGE
12	T1A-520D SAFETY VALVE 200 PSI
13	VA-9705 BALL VALVE
14	SS-27D7 DRAIN COCK
15	TA-9497-1 TANK - 80 GAL HORIZ
16	CCV-9403 CHECK VALVE
17	CT-9728 AFTERCOOLER TUBE

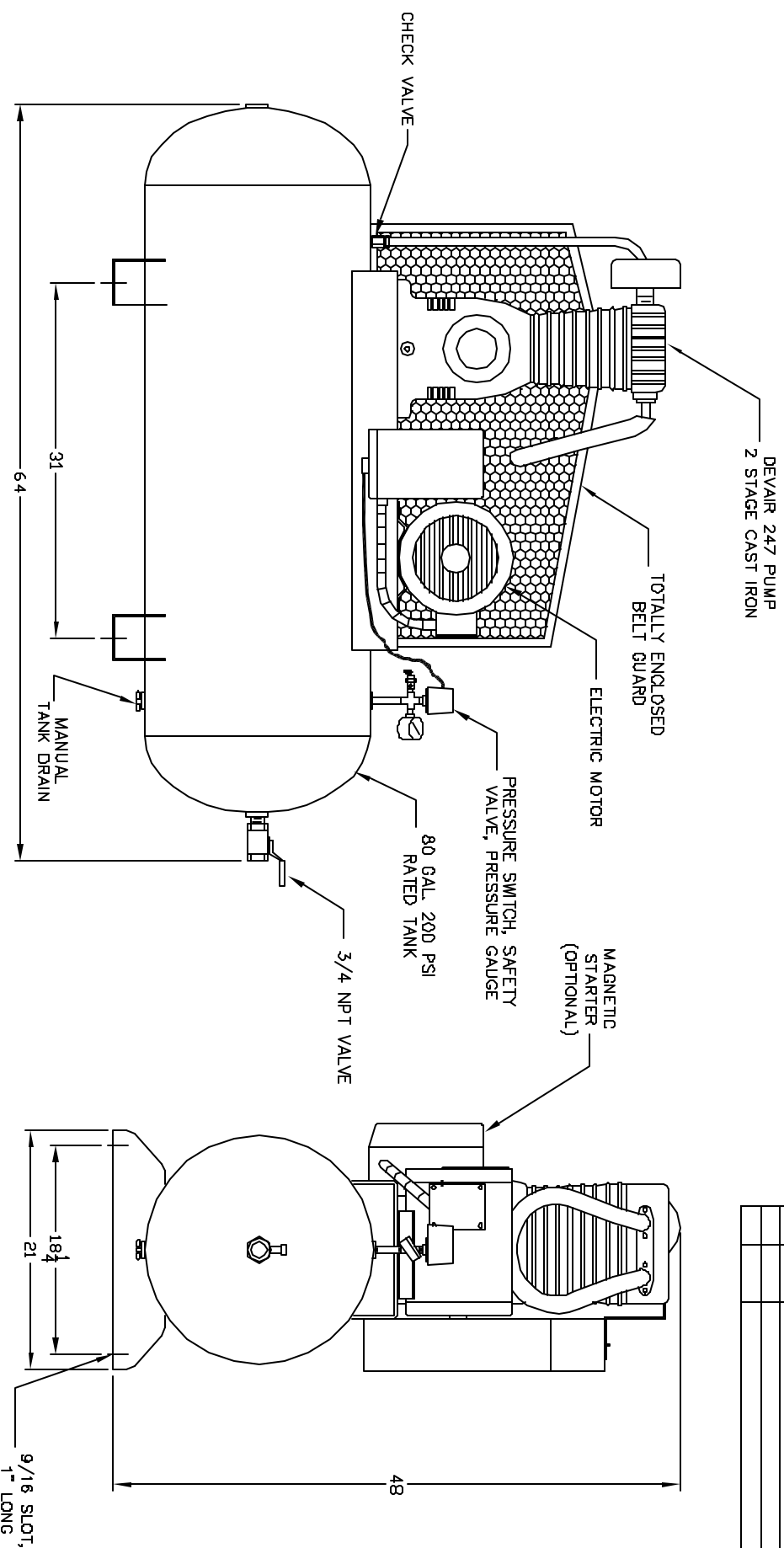


REV.	DATE	REVISION DESCRIPTION	PON. NO.
A	17.02.05	BELTS, PULLEY CHANGED	03-02

IMPORTANT NOTE: This print is the confidential property of DEVAIR, INC. It is not to be used or reproduced in any manner, nor submitted to other parties for examination without the prior approval of DEVAIR, INC.

FRACTIONAL DIMENSIONS: 1/32 DECIMAL DIMENSION: 1/100 UNLESS OTHERWISE SPECIFIED			NAME OF PROJECT 7.5 HP SIMPLEX UNIT C/W 247 PUMP	DRAWN BY C/AL	CHECKED BY C/AL	DATE 28 APR/00	SCALE N.T.S.	DESCRIPTION OF DRAWING COMPRESSOR UNIT	DRAWING NO. TAS-5052	SHEET NO./REV A
---	--	--	--	------------------	--------------------	-------------------	-----------------	---	-------------------------	--------------------

REV.	DATE	REVISION DESCRIPTION	PON. NO.
A	17/02/05	AHP DRAW # 230-00-1 WAS 310A	08-02



COMPRESSOR OUTPUT DATA				PRESSURE SETTING		RECEIVER CAPACITY		COMPRESSOR PUMP DATA				WEIGHT		ELECTRICAL					
MODEL	HP	DISP SCFM	DEL'Y SCFM	PSIG	KPA	GAL.	LITRS	TYPE	CYLD.	STAGE	RPM	LB.	KG.	VOLTAGE	230/1	200/3	230/3	460/3	575/3
TAS-5052	7.5	28.9	25.9	150	1034	80	302	247	2	2	800	700	317	F.L.A.	36	21.3	20	10	8

IMPORTANT NOTE: This print is the confidential property of DEVAIR, INC. It is not to be used or reproduced in any manner, nor submitted to other parties for examination without the prior approval of DEVAIR, INC.

FRACTIONAL DIMENSIONS: ±.002
 DECIMAL DIMENSION: ±.005
 UNLESS OTHERWISE SPECIFIED



NAME OF PROJECT	DESCRIPTION OF DRAWING
7-1/2 HP SIMPLEX C/W 247 PUMP	COMPRESSOR OUTPUT
DRAWN BY: []	DRAWING NO. []
CHECKED BY: []	SHR NO/REV []
DATE: 18 JAN. 99	SCALE: N.T.S.
	TAS-5052
	A