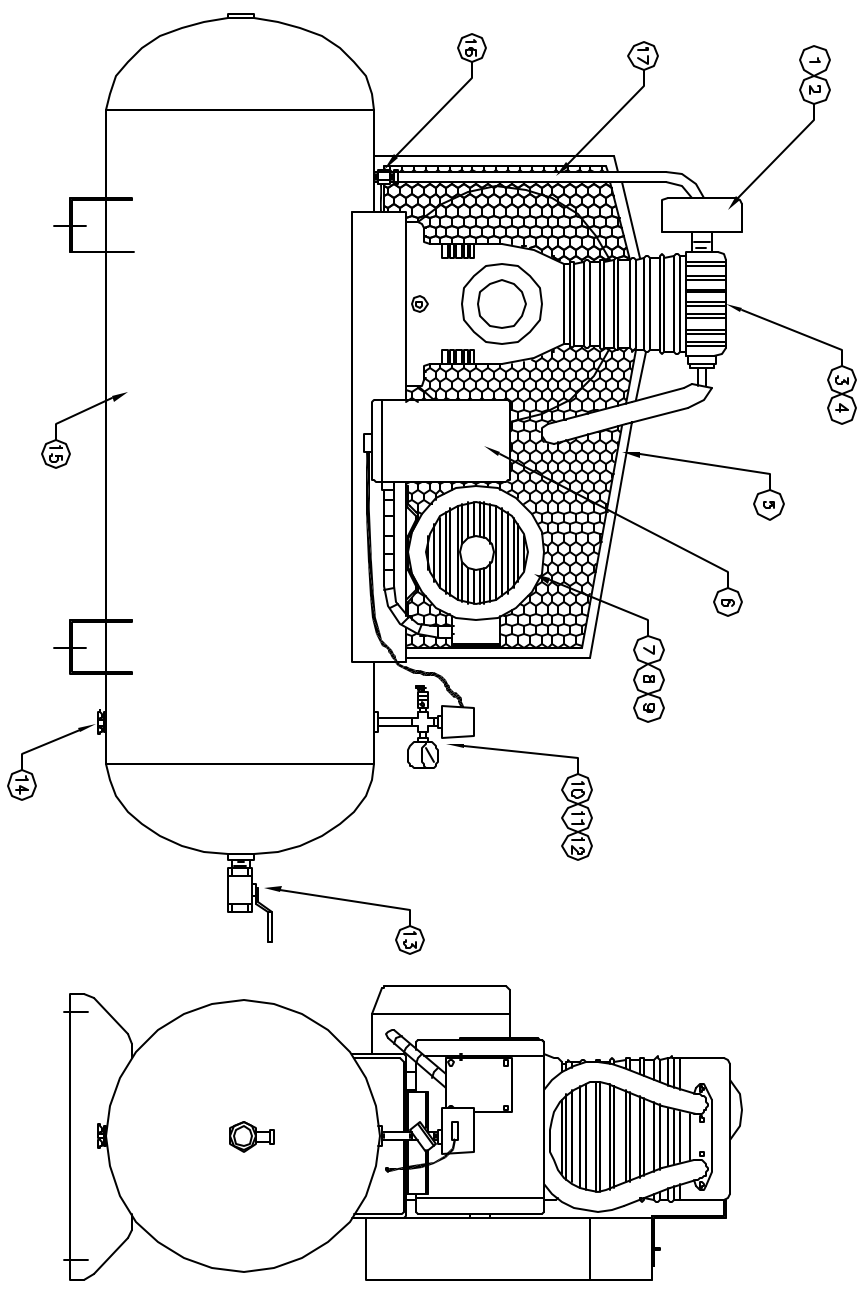


PART NUMBER	DESCRIPTION
1 357-9401	FILTER ASSEMBLY
2 357-9701	FILTER ELEMENT
3 247-4502	COMPRESSOR PUMP
4 432-2-1	FLYWHEEL - 20" OD
5 EG-9485	BELT GUARD
6 MG-140-03	MAG STARTER 230-60-1
MS-340-43	MAG STARTER 200/230-60-3
MS-340-45	MAG STARTER 460-60-3
MS-340-89	MAG STARTER 575-60-3
7 MO-9D25	MOTOR 230-60-1
MO-6407	MOTOR 200-60-3
MO-6435	MOTOR 230/460-60-3
MO-6414	MOTOR 575-60-3
8 PU-9092	MOTOR PULLEY
9 BT-9D29	BELTS (2)
10 SSS-9003U115150	PRESSURE SWITCH
11 GA-250	PRESSURE GAUGE
12 T1A-5200	SAFETY VALVE 200 PSI
13 VA-9705	BALL VALVE
14 SS-2707	DRAIN COCK
15 TA-9497-1	TANK - 80 GAL HORIZ
16 CCV-9403	CHECK VALVE
17 CT-9726	AFTERCOOLER TUBE

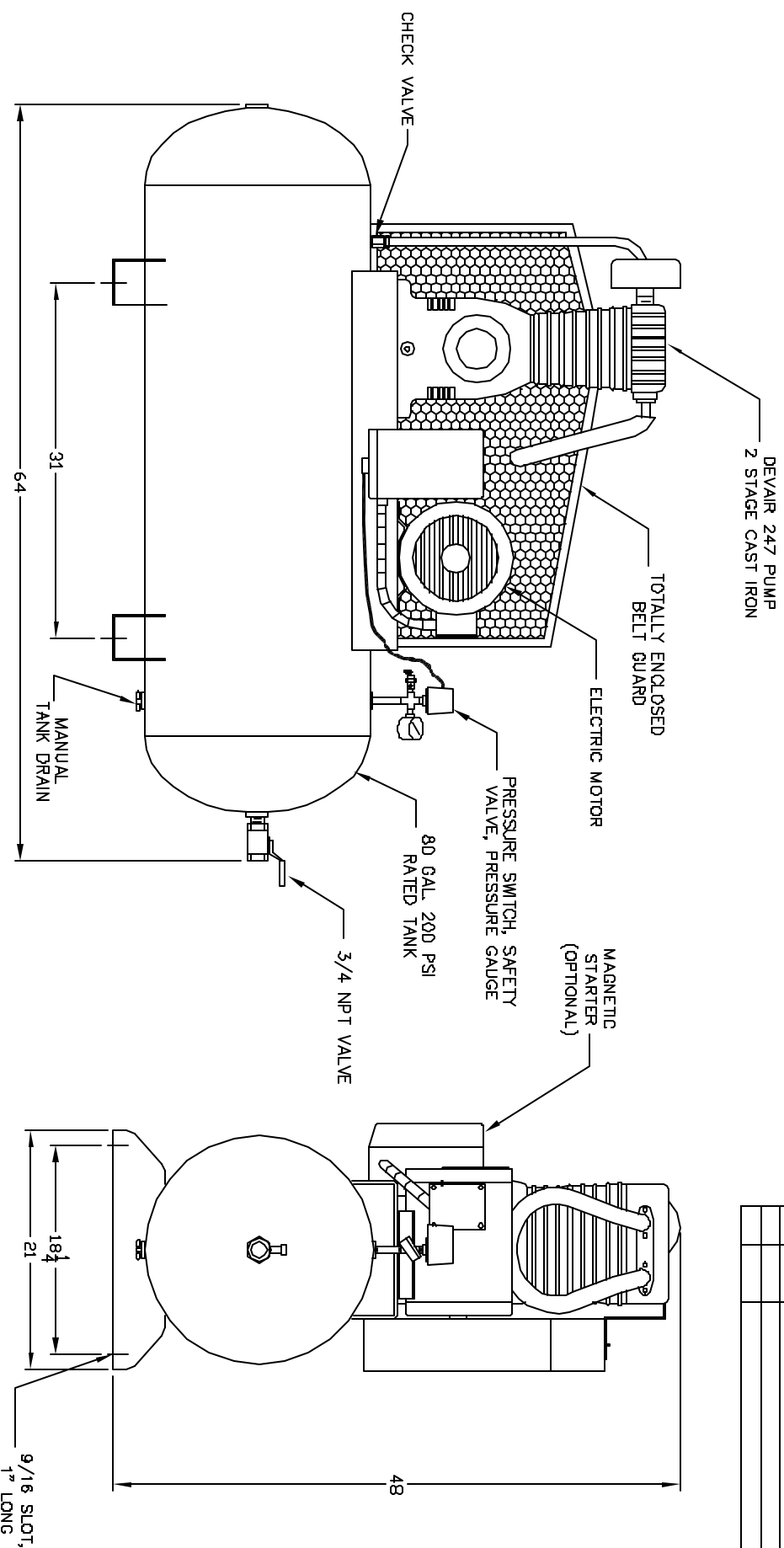


REV.	DATE	REVISION DESCRIPTION	PON. NO.

IMPORTANT NOTE: This print is the confidential property of DEVAIR, INC. It is not to be used or reproduced in any manner, nor submitted to other parties for examination without the prior approval of DEVAIR, INC.

FRACTIONAL DIMENSIONS: 1/32 DECIMAL DIMENSION: 1/100 UNLESS OTHERWISE SPECIFIED		<b>DEVAIR</b>	NAME OF PROJECT 5 HP SIMPLEX UNIT C/W 247 PUMP		DESCRIPTION OF DRAWING COMPRESSOR OUTFIT	
DRAWN BY JPAU	CHECKED BY JPAU		DATE 28 APR/00	SCALE N.T.S.	DRAWING NO. TAP-5052	SHEET NO./REV. /

REV.	DATE	REVISION DESCRIPTION	PON. NO.



COMPRESSOR OUTPUT DATA				PRESSURE SETTING		RECEIVER CAPACITY		COMPRESSOR PUMP DATA			WEIGHT		ELECTRICAL						
MODEL	HP	DISP SCFM	DEL'Y SCFM	PSIG	KPA	GAL.	LITRS	TYPE	CYLD.	STAGE	RPM	LB.	KG.	VOLTAGE	230/1	200/3	230/3	460/3	575/3
TAP-5052	5	23.4	19.8	150	1034	80	302	247	2	2	635	685	310	F.L.A.	23	15.4	13.2	6.6	5.3

IMPORTANT NOTE: This print is the confidential property of DEVAIR, INC. It is not to be used or reproduced in any manner, nor submitted to other parties for examination without the prior approval of DEVAIR, INC.

FRACTIONAL DIMENSIONS: 1/32 DECIMAL DIMENSIONS: 2, 1005 UNLESS OTHERWISE SPECIFIED



NAME OF PROJECT		DESCRIPTION OF DRAWING	
5 HP SIMPLEX C/W 247 PUMP	DATE	COMPRESSION OUTPUT	DRAWING NO.
DRAWN BY	CHECKED BY	DATE	SCALE
18 JAN. 99	N.T.S.	TAP-5052	