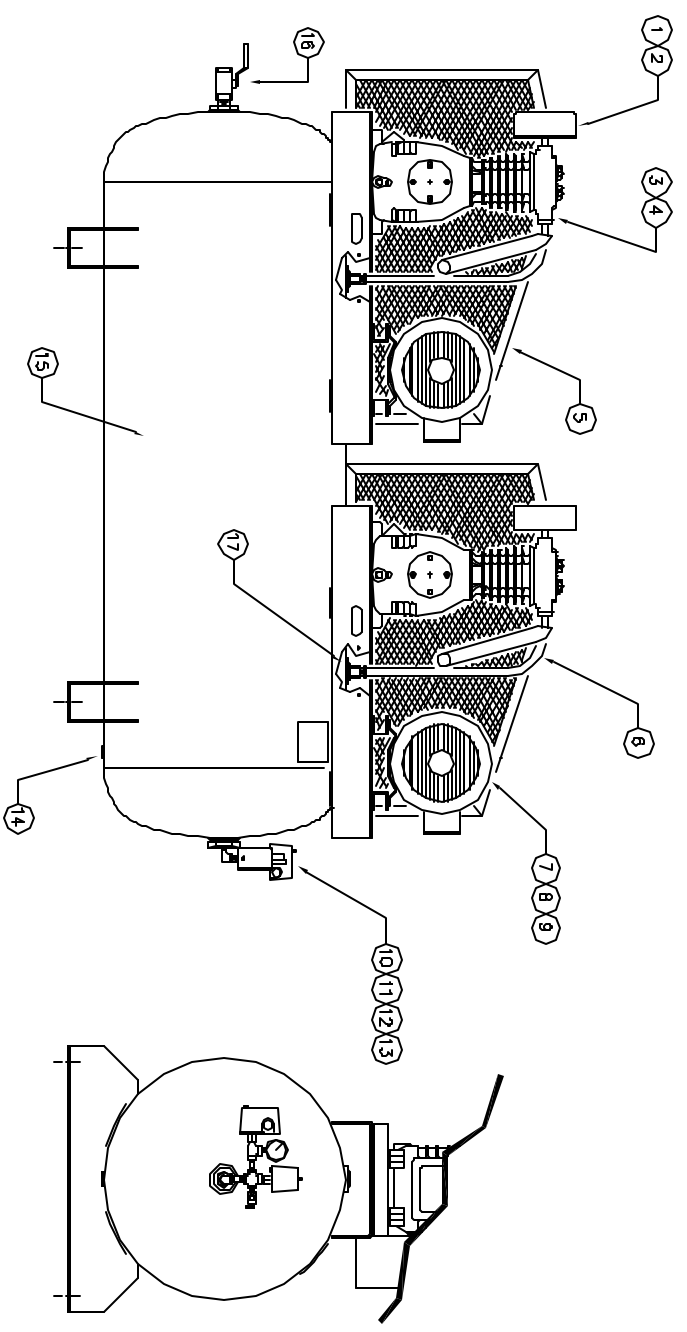


REF	PART NO.	DESCRIPTION
1	356-9404	FILTER ASSEMBLY
2	357-9701	FILTER ELEMENT
3	44642-502A	PUMP ASSY LESS CPR
4	330-467	FLYWHEEL-15" OD
5	EG-9485	BELT GUARD
6	CT-9418	AFTERCOOLER TUBE
7	MO-8236	MOTOR 230-1
	MO-8236	MOTOR 208/230/480-3
	MO-8220	MOTOR 575-3
8	PU-9230	PULLEY (FOR 1 PHASE)
	PU-9231	PULLEY (FOR 3 PHASE)
9	BT-98	BELT
10	SSS-9002-U80100	PRESSURE SWITCH
11	GA-250	PRESSURE GAUGE
12	TA-5140	SAFETY VALVE-140 PSI
13	R8505	PRESS. RELEASE TUBE
14	SS-2707	MANUAL DRAIN COCK
15	TA-9483-1	TANK-120 GAL. HORIZ.
16	VA-9705	BALL VALVE-3/4"NP1
17	DCV-9406	CHECK VALVE



REV.	DATE	REVISION DESCRIPTION	PON. NO.
	MAR28/03	NEW	02-43

IMPORTANT NOTE: This print is the confidential property of Devair Inc. It is not to be used or reproduced in any manner nor submitted to other parties for examination without the prior approval of Devair Inc.

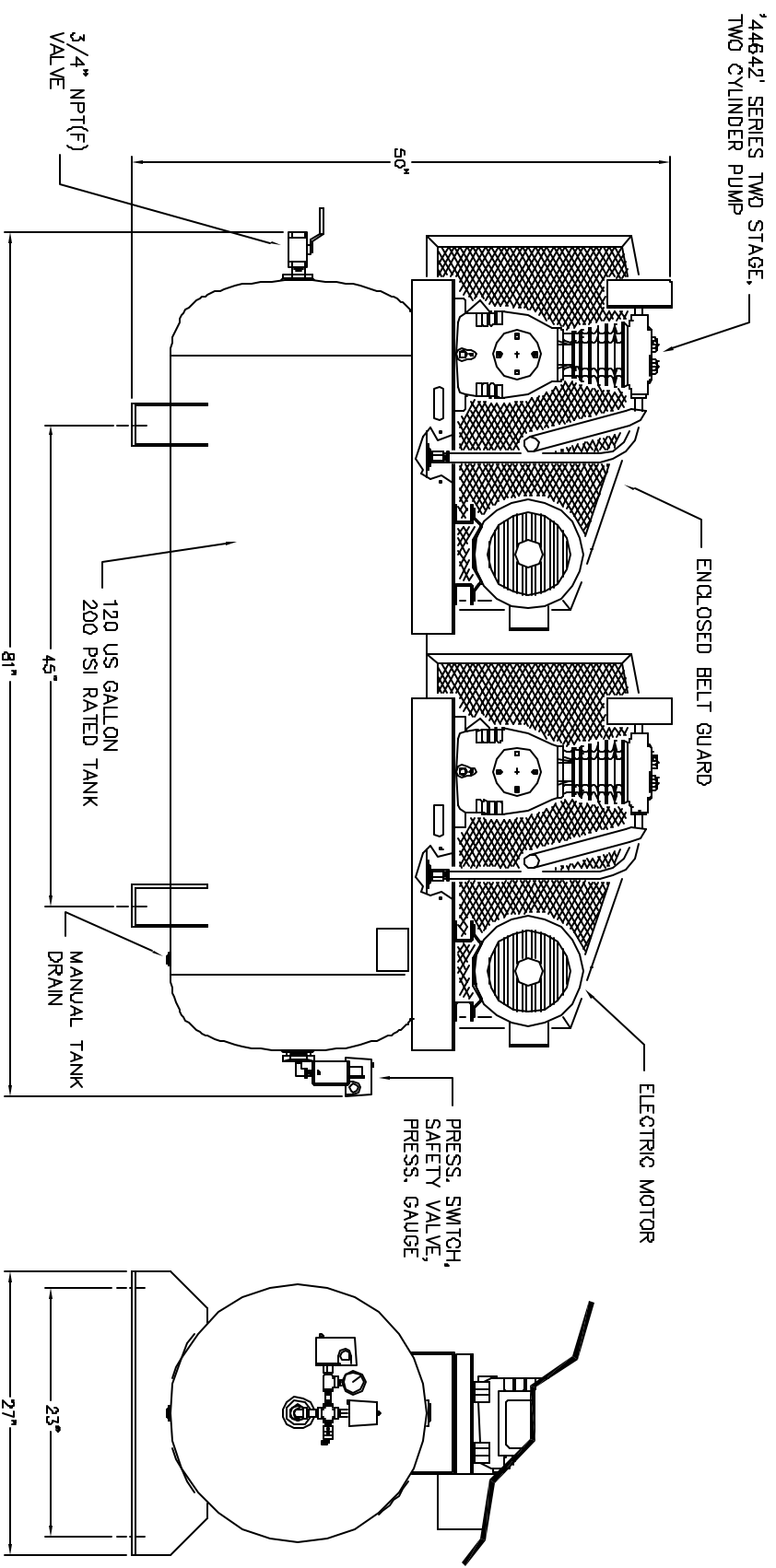
FRACTIONAL DIMENSIONS: 1/32  
 DECIMAL DIMENSION: 2, 1005  
 UNLESS OTHERWISE SPECIFIED

# DEVAIR

NAME OF PRODUCT  
 2 HP DUPLEX UNIT  
 C/W 44642 SERIES PUMP  
 DRAWN BY: W.BLOM  
 CHECKED BY: MARGO3  
 DATE: N.T.S.  
 SCALE:

DESCRIPTION OF DRAWING  
 CGM/PRESSOR UNIT  
 DRAWING NO. TAN-5562  
 SHEET NO. REV.

REV.	DATE	REVISION DESCRIPTION	PON NO.
	MAR2703	NEW	02-13



MODEL	HP	DISPLACEMENT SCFM	L/S	DELIVERY SCFM	L/S	PRESSURE SETTING	RECEIVER CAPACITY	PUMP TYPE	DATA RPM	WEIGHT LB.	KG.	ELECTRICAL - VOLTAGE & F.L.A.
TAN-5562	2	2x9.0	2x4.3	2x7.1	2x3.4	125 PSIG 863 KPA	120 US GAL 452 LITRES	44642	550	800	364	120/1 230/1 200/3 230/3 460/3 575/3
TAO-5562	3	2x14.9	2x7.1	2x11.4	2x5.4				890	823	374	32.0 16.0 8.8 8.0 4.0 3.1

NOTE: DISPLACEMENT/DELIVERY/RPM FIGURES ARE FOR 3 PHASE UNITS ONLY. FOR SINGLE PHASE UNITS, USE A 0.8 MULTIPLIER.

IMPORTANT NOTE: This print is the confidential property of Devair Inc. It is not to be used or reproduced in any manner nor submitted to other parties for examination without the prior approval of Devair Inc.

FRACTIONAL DIMENSIONS: 1/32  
DECIMAL DIMENSION: ±.005  
UNLESS OTHERWISE SPECIFIED

# DEVAIR

NAME OF PROJECT		DESCRIPTION OF DRAWING	
2 HP AND 3 HP DUPLEX C/W 44642 SERIES PUMP	DRAWN BY	COMPRESSOR UNIT	DRAWING NO.
WBLDM	CHECKED BY	DATE	SCALE
	MAR2903	N.T.S.	TAN-5562 AND TAO-5562
			SHT NO
			REV.