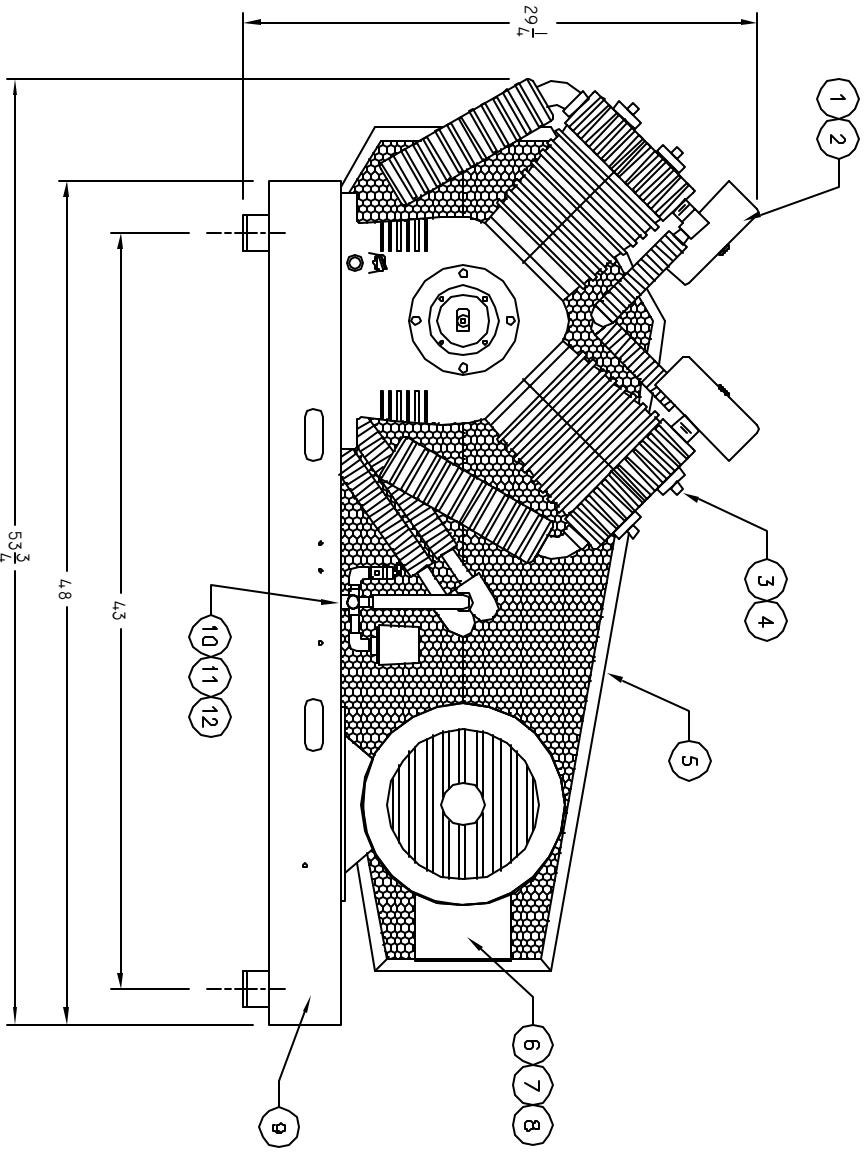


REF	PART NO.	DESCRIPTION
1	357-9401	FILTER ASSEMBLY
2	357-9701	FILTER ELEMENT
3	447-4523	PUMP ASSY C/W CPR
4	445-2-1	FLYWHEEL-20° OD
5	EG-9487	BELT GUARD
6	MO-6712	MOTOR 200/208-3
	MO-6713	MOTOR 230/460-3
	MO-6791	MOTOR 575-3
7	PU-9198	PULLEY
8	BT-118	BELT
9	HC8-9450	BASE ASSY.
10	SSS-9003-115/150	PRESSURE SWITCH
11	T1A-5200	SAFETY VALVE-200 PSI
12	ACC-9092	CHECK VALVE



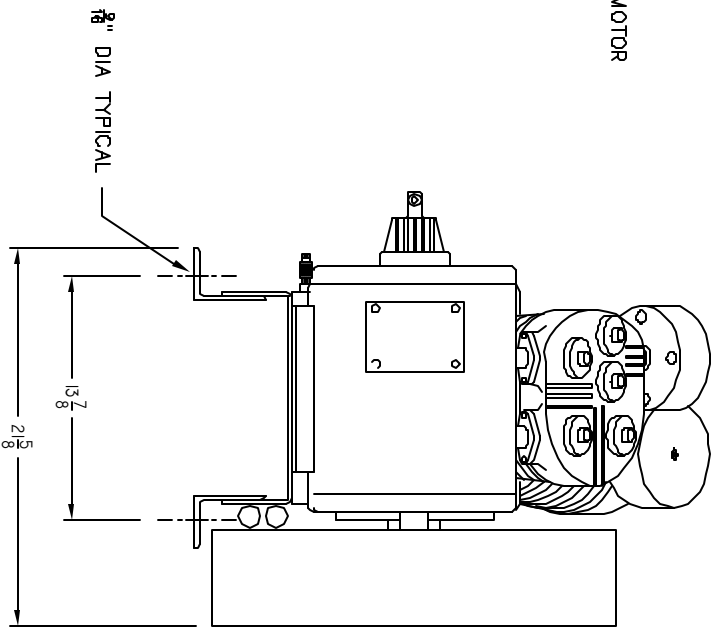
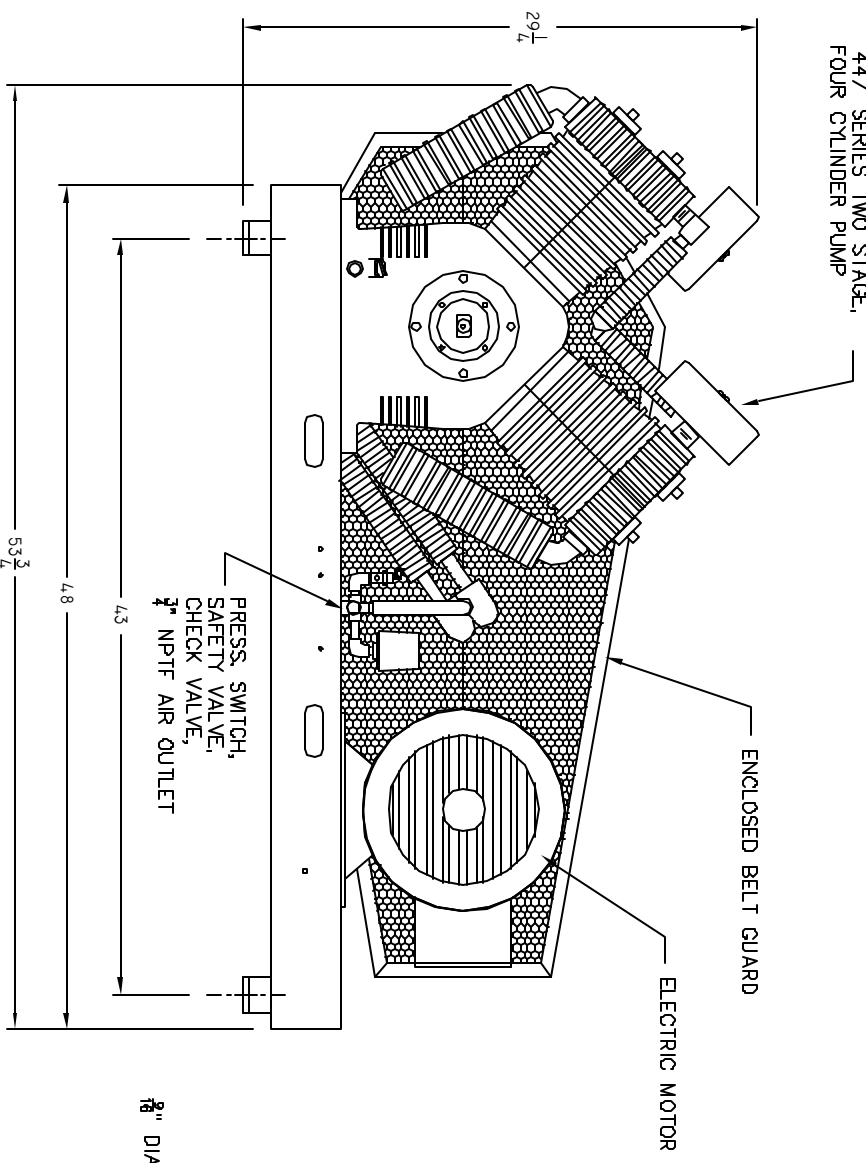
REV.	DATE	REVISION DESCRIPTION	PCN NO.
	MAR2708	NEW	08-00

IMPORTANT NOTE: This print is the confidential property of Devair Inc. It is not to be used or reproduced in any manner nor submitted to other parties for examination without the prior approval of Devair Inc.

FRACTIONAL DIMENSIONS: ± 1/32 DECIMAL DIMENSIONS: ± .005 UNLESS OTHERWISE SPECIFIED				NAME OF PROJECT 15 HP BASE MOUNTED C/W 447 SERIES PUMP		DESCRIPTION OF DRAWING COMPRESSOR UNIT	
DRAWN BY W.BLOM	CHECKED BY MAR2708			DATE MAR2708	SCALE N.T.S.	DRAWING NO. VAV-5002	SHEET NO.

REV.	DATE	REVISION DESCRIPTION	PON. NO.
	MAR2708	NEW	08-00

447 SERIES TWO STAGE,
FOUR CYLINDER PUMP



MODEL	HP	DISPLACEMENT SCFM	L/S	DELIVERY SCFM	L/S	PRESSURE SETTING	PUMP DATA TYPE	WEIGHT LB.	KG.	ELECTRICAL - VOLT. & F.L.A.
VAT-5003	10	43.3	20.7	36.5	17.4	150 PSIG	447	675	306	200/3 230/3 460/3 575/3
VAV-5002	15	64.8	30.9	51.8	24.7	1035 KPA	880	770	350	43.0 37.0 18.5 14.7

IMPORTANT NOTE: This print is the confidential property of Devair Inc. It is not to be used or reproduced in any manner nor submitted to other parties for examination without the prior approval of Devair Inc.

FRACTIONAL DIMENSIONS: ± 1/32
DECIMAL DIMENSIONS: ± .005
UNLESS OTHERWISE SPECIFIED



NAME OF PROJECT				DESCRIPTION OF DRAWING	
10 HP AND 15 HP BASE MOUNTED C/W 447 SERIES PUMP	DRAWING NO.		COMPRESSOR QUIFT		
DRAWN BY	CHECKED BY	DATE	SCALE	SHT NO	REV.
WBLDM		MAR2708	N.T.S.		
			VAT-5003 AND VAV-5002		