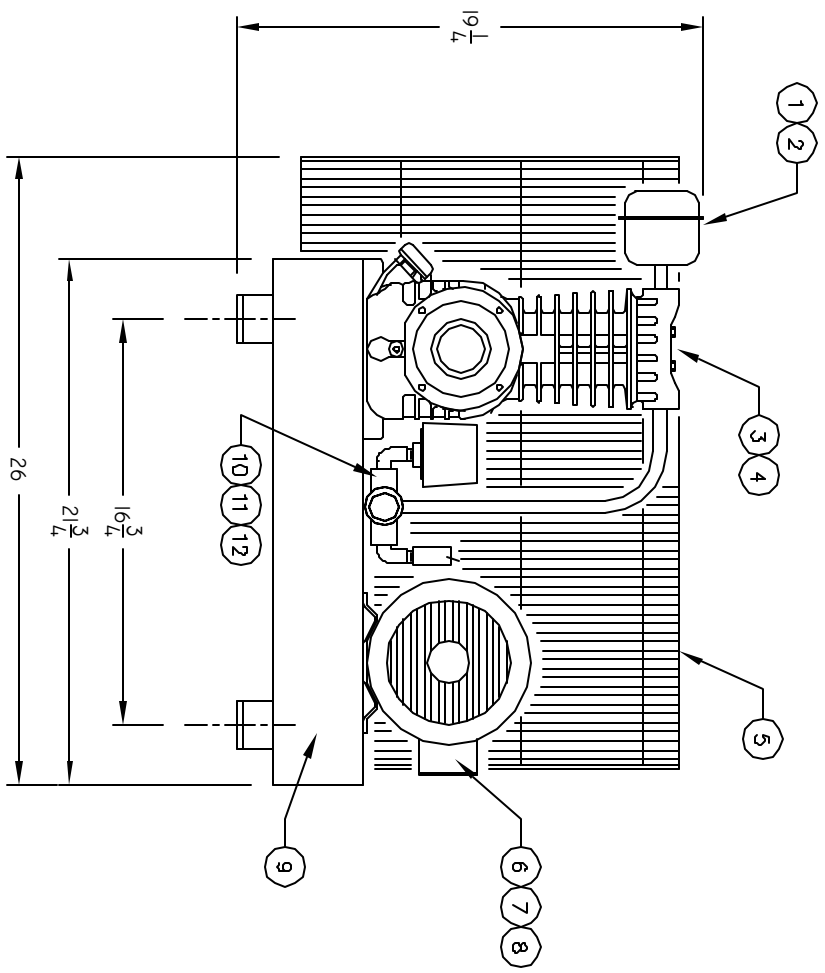


REF	PART NO.	DESCRIPTION
1	366-9406	FILTER ASSEMBLY
2	366-9701	FILTER ELEMENT
3	223-007	PUMP ASSY LESS CPR
4	31438-124	FLYWHEEL-12" OD
5	EG-9489	BELT GUARD
6	MO-6134	MOTOR 115/230-1
	MO-6135	MOTOR 208/230/460-3
	MO-6120	MOTOR 575-3
7	PU-9224	PULLEY (FOR 1 PHASE)
	PU-9226	PULLEY (FOR 3 PHASE)
8	BT-67	BELT
9	HCB-9447	BASE ASSY.
10	SSS-9002-UB0100	PRESSURE SWITCH
11	TIA-6140	SAFETY VALVE-140 PSI
12	CCV-9401	CHECK VALVE

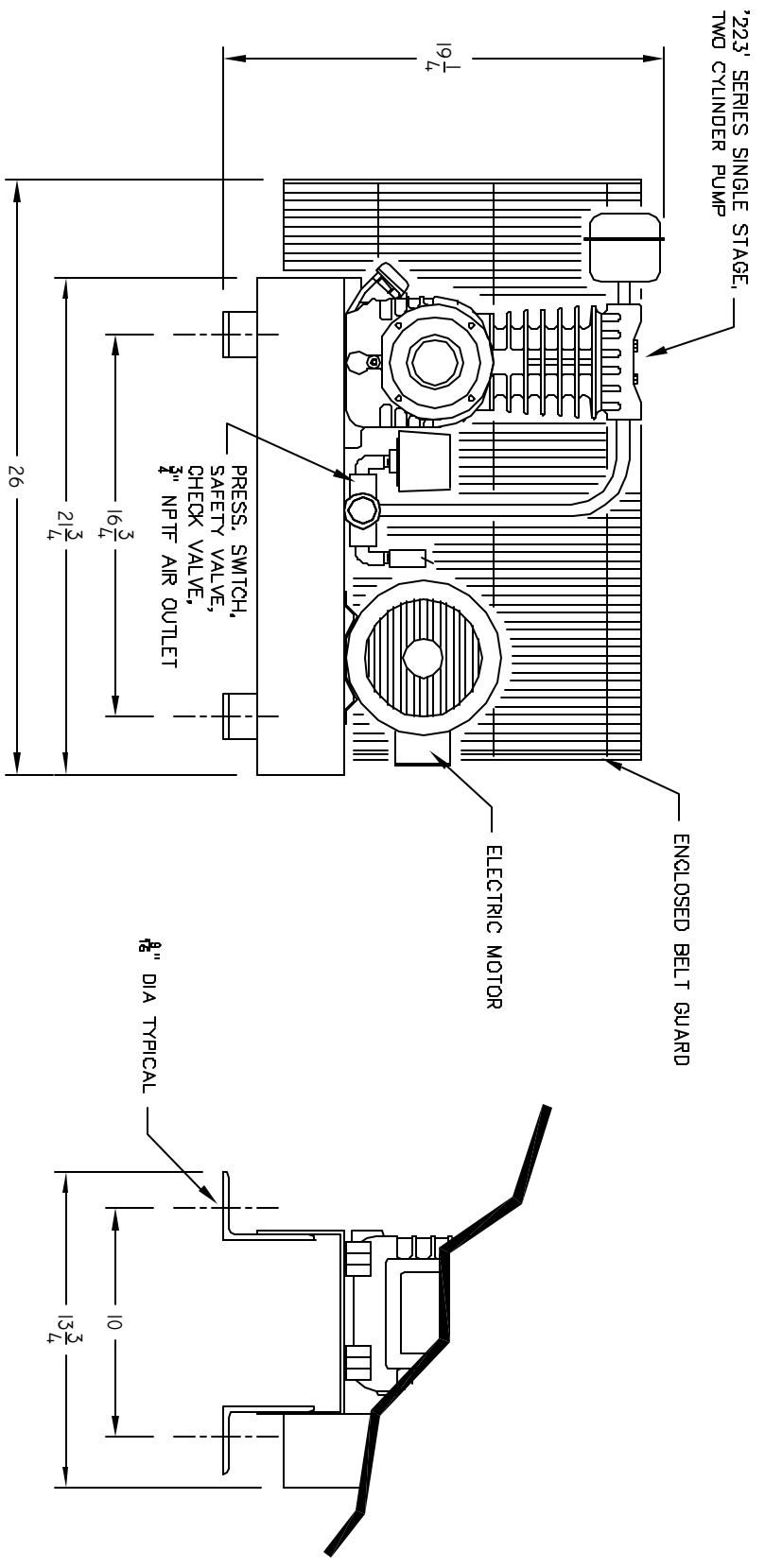


REV.	DATE	REVISION DESCRIPTION	PCH NO.
	MAR2708	NEW	DR-03

IMPORTANT NOTE: This print is the confidential property of Devair Inc. It is not to be used or reproduced in any manner nor submitted to other parties for examination without the prior approval of Devair Inc.

FRACTIONAL DIMENSIONS: 1/32 DECIMAL DIMENSIONS: ±.005 UNLESS OTHERWISE SPECIFIED				NAME OF PROJECT 1-1/2 HP BASE MOUNTED C/W 223 SERIES PUMP		DESCRIPTION OF DRAWING COMPRESSOR UNIT	
DRAWN BY WBLDM	CHECKED BY MAR2708			DATE MAR2708	SCALE N.T.S.	DRAWING NO. UDM-5002	SHIT NO.

REV.	DATE	REVISION DESCRIPTION	PCN NO.
	MAR2708	NEW	DR-08



MODEL	HP	DISPLACEMENT SCFM	L/S	DELIVERY SCFM	L/S	PRESSURE SETTING	PUMP DATA TYPE	RPM	WEIGHT LB.	KG.	ELECTRICAL - VOLTAGE & F.L.A.
UDL-5002	1	5.7	2.7	3.7	1.7	100 PSIG	223	445	135	61	120/1 6.7 3.1 2.8 1.4 1.1
UDM-5002	1.5	8.9	4.1	5.6	2.6	690 KPA	223	695	139	63	230/1 9.0 4.6 4.2 2.1 1.7
UDN-5002	2	11.4	5.3	7.0	3.2			890	145	66	200/3 10.2 6.2 5.6 2.8 2.2

NOTE: DISPLACEMENT/DELIVERY/RPM FIGURES ARE FOR 3 PHASE UNITS ONLY. FOR SINGLE PHASE UNITS, USE A 0.8 MULTIPLIER.

IMPORTANT NOTE: This print is the confidential property of Devair Inc. It is not to be used or reproduced in any manner nor submitted to other parties for examination without the prior approval of Devair Inc.

FRACTIONAL DIMENSIONS: 1/32 DECIMAL DIMENSIONS: ±.005 UNLESS OTHERWISE SPECIFIED				NAME OF PROJECT 1 HP TO 2 HP BASE MOUNTED C/W 223 SERIES PUMP		DESCRIPTION OF DRAWING COMPRESSOR OUTFIT	
DRAWN BY WBLDM	CHECKED BY MAR2708			DATE MAR2708	SCALE N.T.S.	DRAWING NO. UDL-5002 TO UDN-5002	SHEET NO.