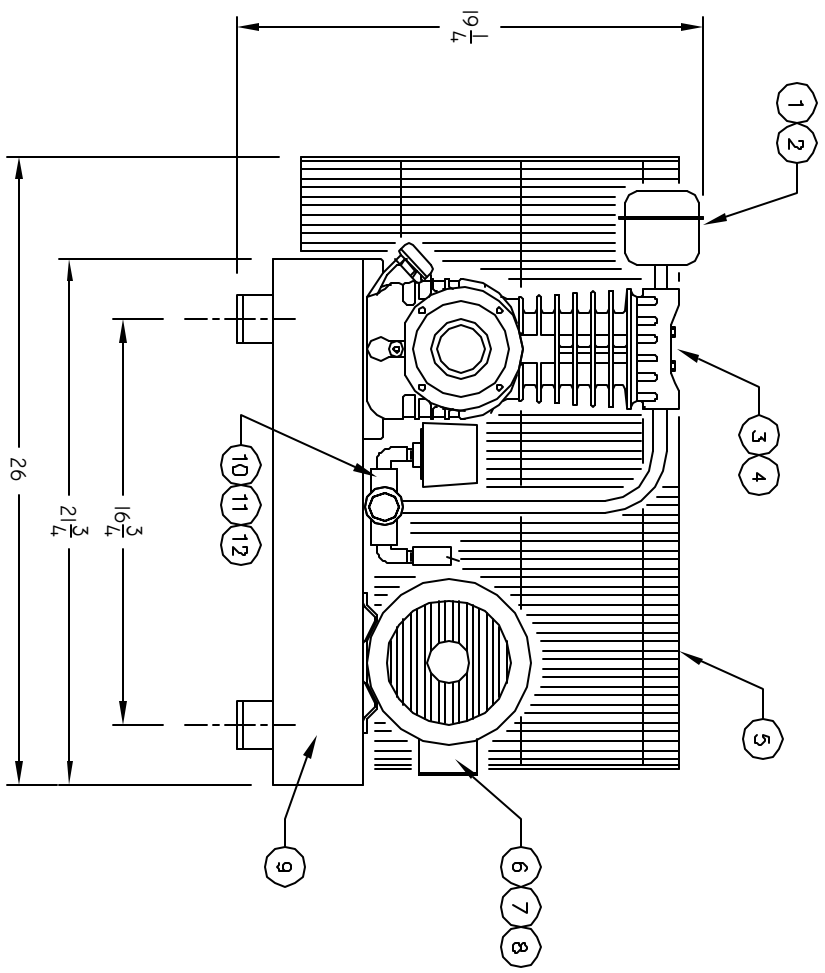


| REF | PART NO. | DESCRIPTION |
|-----|-----------------|----------------------|
| 1 | 356-9406 | FILTER ASSEMBLY |
| 2 | 356-9701 | FILTER ELEMENT |
| 3 | 123-4502 | PUMP ASSY LESS CPR |
| 4 | 31438-124 | FLYWHEEL-12" OD |
| 5 | EG-9489 | BELT GUARD |
| 6 | MO-9030 | MOTOR 115/230-1 |
| | MO-5416 | MOTOR 208/230/460-3 |
| | MO-5420 | MOTOR 575-3 |
| 7 | PU-9223 | PULLEY (FOR 1 PHASE) |
| | PU-9225 | PULLEY (FOR 3 PHASE) |
| 8 | BT-67 | BELT |
| 9 | HCB-9447 | BASE ASSY. |
| 10 | SSS-9002-UB0100 | PRESSURE SWITCH |
| 11 | TIA-6140 | SAFETY VALVE-140 PSI |
| 12 | CCV-9401 | CHECK VALVE |

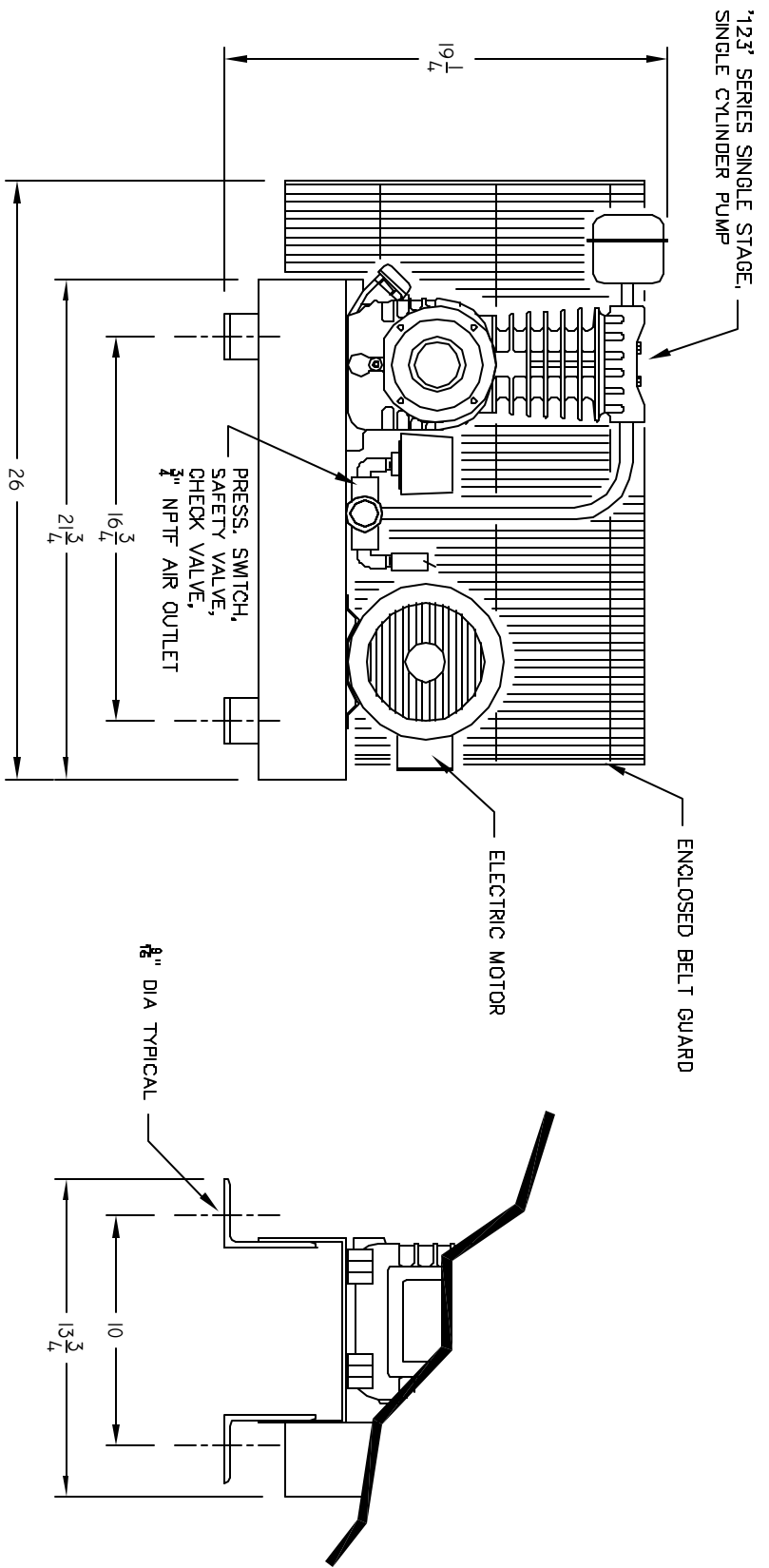


| REV. | DATE | REVISION DESCRIPTION | PCH NO. |
|------|---------|----------------------|---------|
| | MAR2708 | NEW | DR-05 |

IMPORTANT NOTE: This print is the confidential property of Devair Inc. It is not to be used or reproduced in any manner nor submitted to other parties for examination without the prior approval of Devair Inc.

| | | | | | | | |
|--|-----------------------|--|--|---|-----------------|---|--------------|
| FRACTIONAL DIMENSIONS: ± 1/32 DECIMAL DIMENSIONS: ± .005 *UNLESS OTHERWISE SPECIFIED | | | | NAME OF PROJECT 3/4 HP BASE MOUNTED C/W 123 SERIES PUMP | | DESCRIPTION OF DRAWING COMPRESSOR UNIT | |
| DRAWN BY WBLDM | CHECKED BY MAR2708 | | | DATE MAR2708 | SCALE N.T.S. | DRAWING NO. LDK-5001 | SHIT NO. |

| REV. | DATE | REVISION DESCRIPTION | PCN NO. |
|------|---------|----------------------|---------|
| | MAR2708 | NEW | DR-03 |
| | | | |



| MODEL | HP | DISPLACEMENT SCFM | L/S | DELIVERY SCFM | L/S | PRESSURE SETTING | PUMP DATA TYPE | RPM | WEIGHT LB. | KG. | ELECTRICAL - VOLTAGE & F.L.A. |
|----------|-----|-------------------|-----|---------------|-----|------------------|----------------|-----|------------|-----|-------------------------------|
| UDJ-5001 | 1/2 | 2.8 | 1.3 | 2.0 | 0.9 | 100 PSIG | 123 | 445 | 107 | 49 | 8.4 |
| UDK-5001 | 3/4 | 4.4 | 2.1 | 3.0 | 1.4 | 690 KPA | | 695 | 111 | 50 | 10.2 |
| UDL-5001 | 1 | 5.7 | 2.7 | 3.9 | 1.8 | | | 890 | 117 | 53 | 13.4 |

NOTE: DISPLACEMENT/DELIVERY/RPM FIGURES ARE FOR 3 PHASE UNITS ONLY. FOR SINGLE PHASE UNITS, USE A 0.8 MULTIPLIER.

ELECTRICAL - VOLTAGE & F.L.A.

IMPORTANT NOTE: This print is the confidential property of Devair Inc. It is not to be used or reproduced in any manner nor submitted to other parties for examination without the prior approval of Devair Inc.

FRACTIONAL DIMENSIONS: ± 1/32
DECIMAL DIMENSIONS: ± .005
UNLESS OTHERWISE SPECIFIED



| NAME OF PROJECT | | | | DESCRIPTION OF DRAWING | |
|---|------------|---------|--------|------------------------|--------|
| 1/2 HP TO 1 HP BASE MOUNTED C/W 123 SERIES PUMP | | | | COMPRESSOR OUTFIT | |
| DRAWN BY | CHECKED BY | DATE | SCALE | DRAWING NO. | SHT NO |
| WBLDM | | MAR2708 | N.T.S. | UDJ-5001 | TO |
| | | | | UDL-5001 | |